

## IBSP155 Series Module Design LED Downlight | IP65 , Adjustable Honeycomb Louver Optional

### Key Features

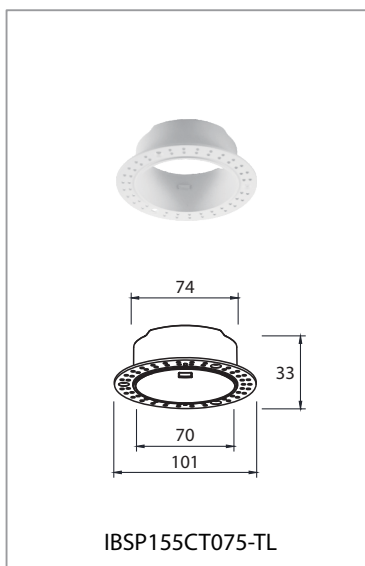
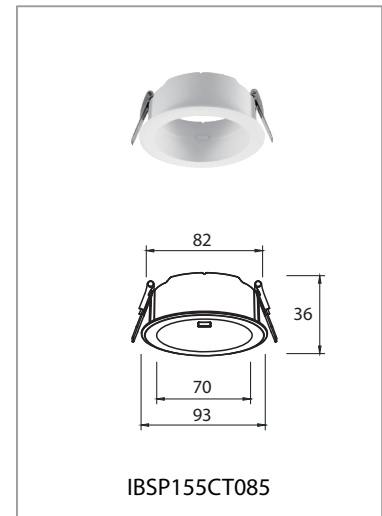
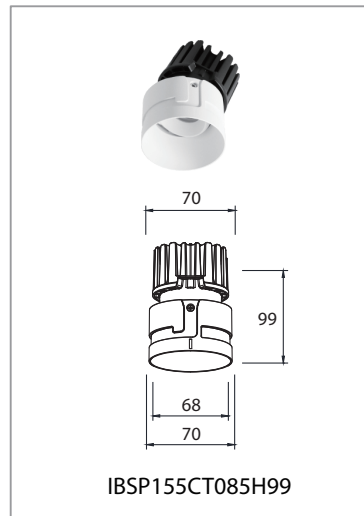
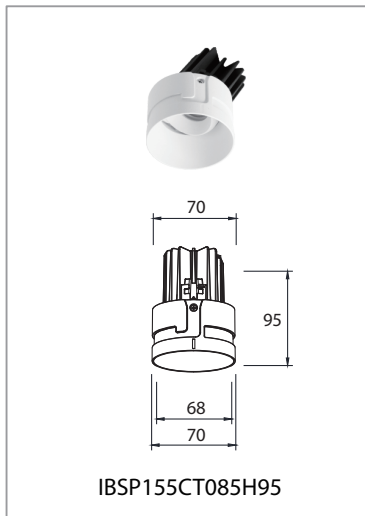
- **Precision Adjustable Lighting**  
30° tilt and 280° rotation enable accurate aiming, allowing light to be precisely directed where needed.
- **Flexible Beam Options**  
Multiple beam angles (15° / 24° / 36° / 50°) support both accent and general lighting applications.
- **Enhanced Visual Comfort**  
Deep-set light source with optional honeycomb louvre ensures effective glare control.
- **Modular Design System**  
Compatible with interchangeable optics and trim/trimless installations for versatile project integration.



### Applications

Designed for:

- **Hospitality** : Guestrooms, corridors, and bathrooms where adjustable lighting enhances spatial flexibility.
- **High-End Residential** : Living areas and wet zones requiring both directional lighting and moisture protection.
- **Retail** : Ideal for highlighting products and displays with precise aiming capability.
- **Architectural & Commercial** : Suitable for projects requiring adaptable lighting layouts with consistent visual comfort.



## Measurement

Model	Dimension(mm)				Product Weight (Kg)		Package weight (Kg)		Carton Size(cm)	Qty/CTN
	A	B	C	D	N.W/PC	G.W/PC	N.W/CTN	G.W/CTN		
IBSP155CT085H95	70	95	70	68	/	/	/	/	/	/
IBSP155CT085H99	70	99	70	68	/	/	/	/	/	/
IBSP155CT085	93	36	82	70	/	/	/	/	/	/
IBSP155CT075-TL	101	33	74	70	/	/	/	/	/	/

## Technical Specifications

Model No.	IBSP155CT085H95	IBSP155CT085H99
Size(mm)	Ø70*95	Ø70*99
Cutout(mm)	-	-
Watt(W)	8W	15W
Luminous Flux (lm) @4000K	700	1300
Light Source	COB LED	
LED Brand	Bridgelux / Cree (standard) / Hongli (optional)	
SDCM	<5	
CCT(K)	2700K / 3000K / 3500K / 4000K / 5700K / 6500K	
CRI	Ra≥80/90	
Beam Angle (°)	15° /24° / 36° /50°	
UGR	<13	
LED Driver	Lifud / BOKE / Tridonic	
Rated Input Voltage(V)	AC200-240V 50/60Hz	
Power Factor	>0.9	
Efficiency	≥82%	≥82%
Rated Input Current	≤0.08A	≤0.08A
Full load output voltage	DC 30-42V	DC 30-40V
Rated output current	200mA	350mA
Dimming Option	Non-dimmable / 1-10V / Triac / DALI dimmable / Casambi	
Power tolerance	±5%	
Current output tolerance	±5%	
Protection Class	Class II	
Short circuit protection Over voltage protection Over temperature protection	PASS	
THD	<20%@230V	
Surge	L-N:2KV	
Withstand voltage	I/P-O/P:3.75KV AC	
Finishing color	Black / White	
Material	Aluminium	
IP Rating	IP20; IP65 on the visible part of the product once installed	
Lifetime (hr)	50,000	
Operating Temp.(°C)	-20°C~45°C	
Storage Temp.(°C)	-20°C~65°C	

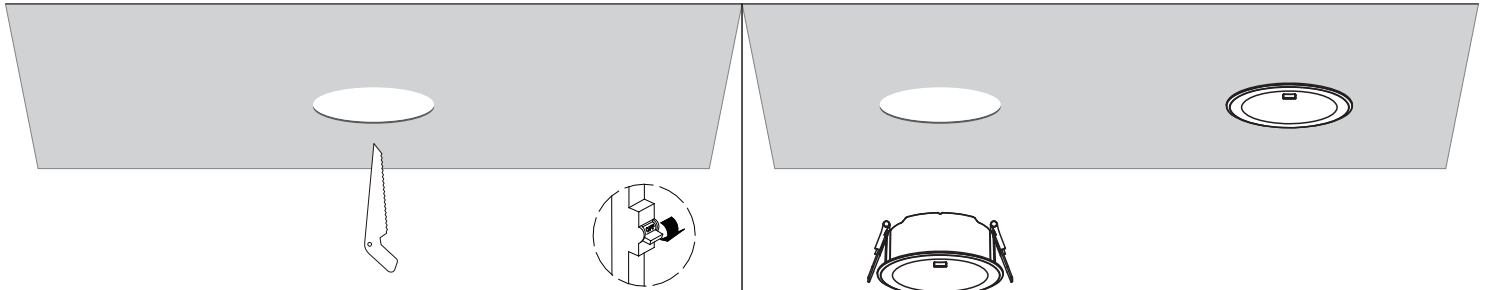
# Installation Procedure

## WARNING

1. Switch off before installation.
2. Switch on only after complete installation and examination of the circuit.
3. Professional electrician for installation and maintenance only.



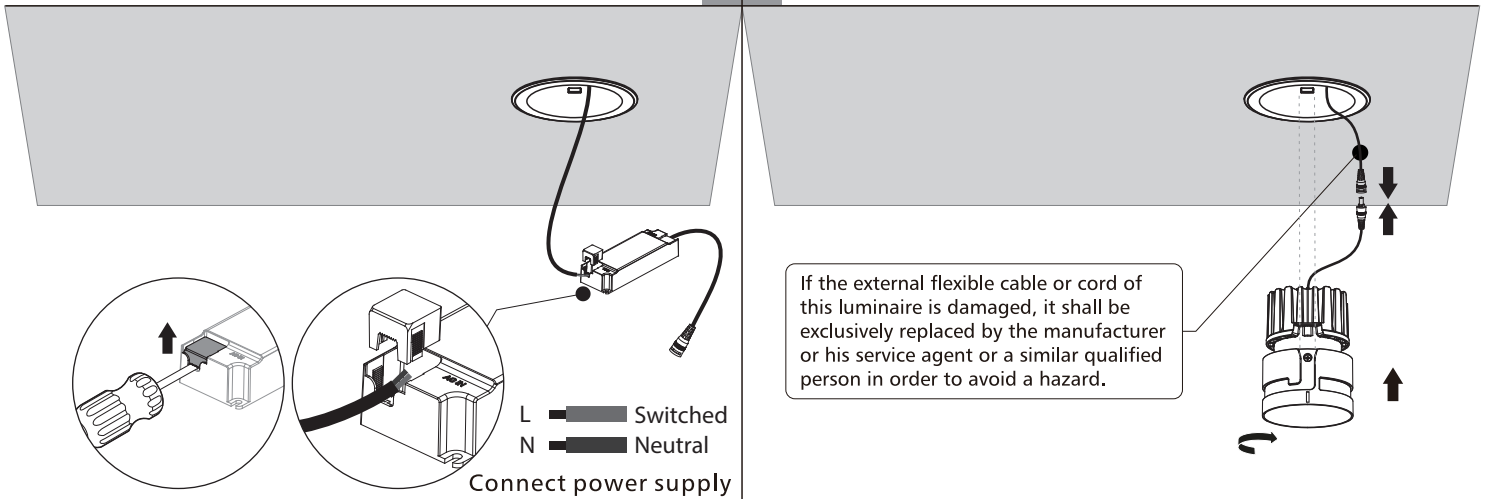
■ Turn Off power supply before starting any installation. Read instructions & check you have all the tools & accessories to complete the installation correctly.



Cutout refer to cutout table

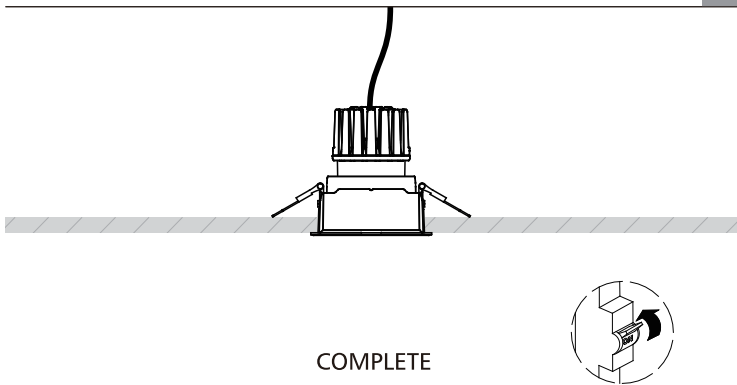
Item	Product Size (mm)	Cutout(mm)
1	Ø93*36	Ø85

1 2



Connect power supply

3 4



COMPLETE

The light source contained in this luminaire shall only be replaced by the manufacturer or his service agent or a similar qualified person.



5

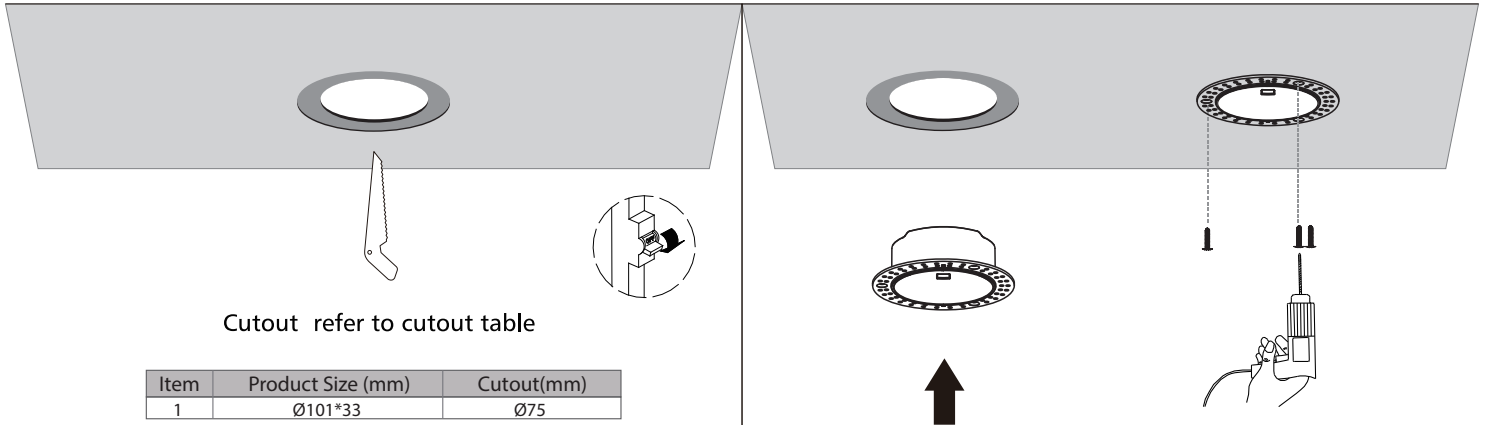
# Installation Procedure

## WARNING

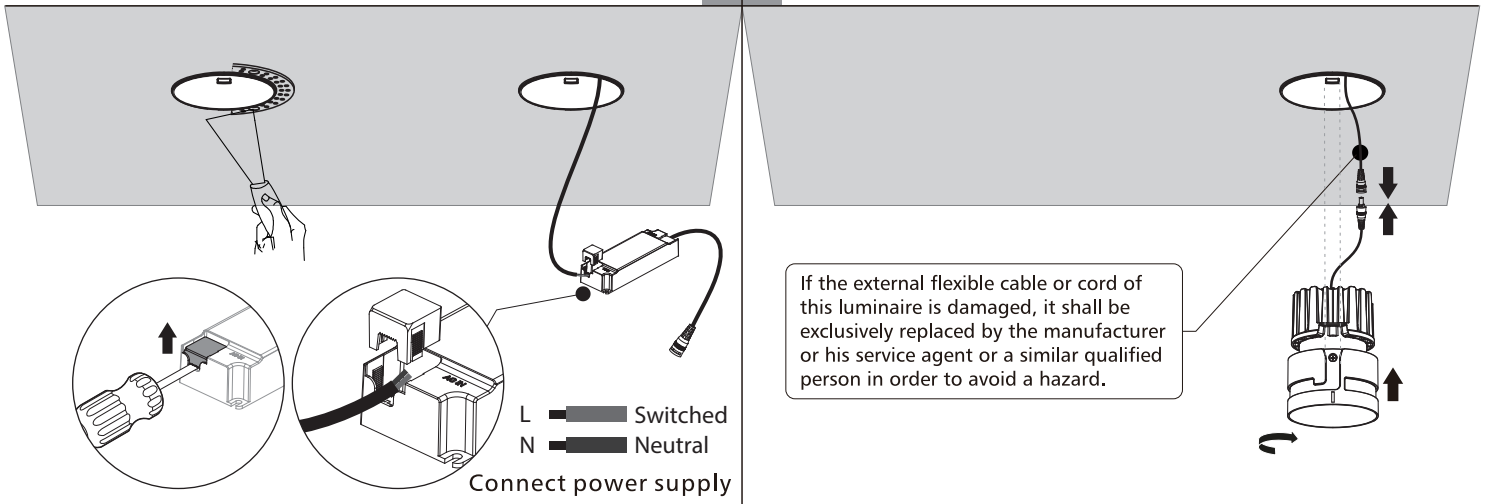
1. Switch off before installation.
2. Switch on only after complete installation and examination of the circuit.
3. Professional electrician for installation and maintenance only.



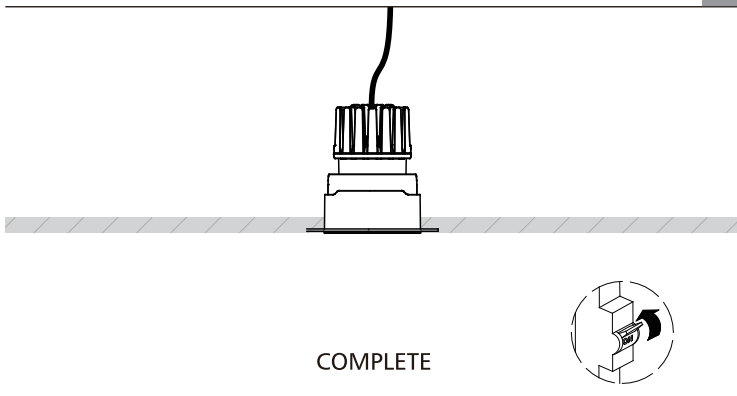
■ Turn Off power supply before starting any installation. Read instructions & check you have all the tools & accessories to complete the installation correctly.



1 2



3 4



The light source contained in this luminaire shall only be replaced by the manufacturer or his service agent or a similar qualified person.



5