

IBSP135-PRO Series LED Downlight-High lumen | Honeycomb Louver Optional

Key Features

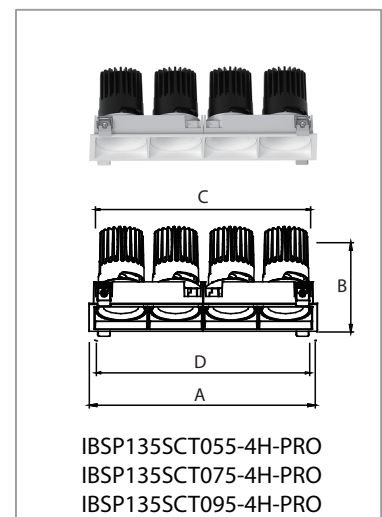
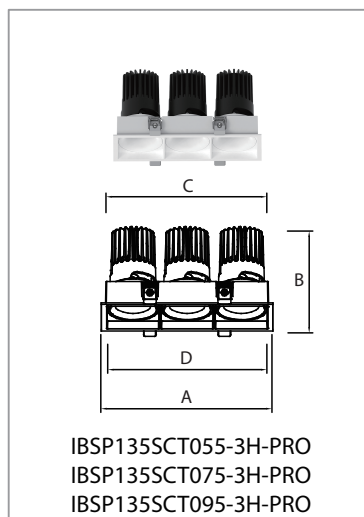
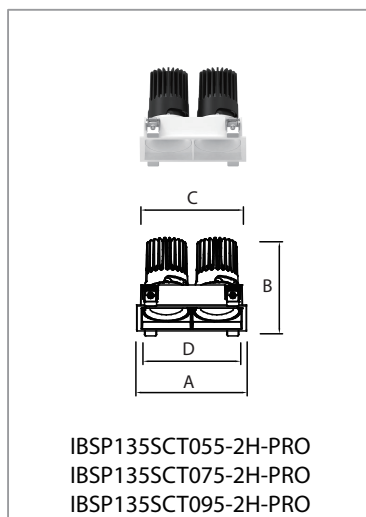
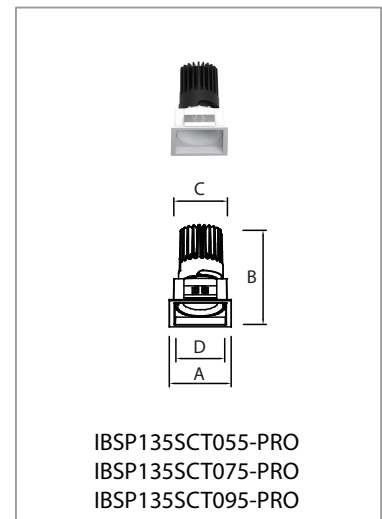
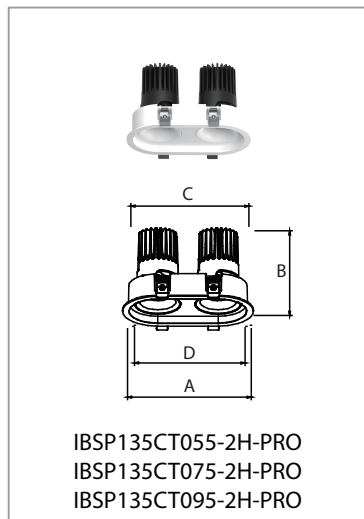
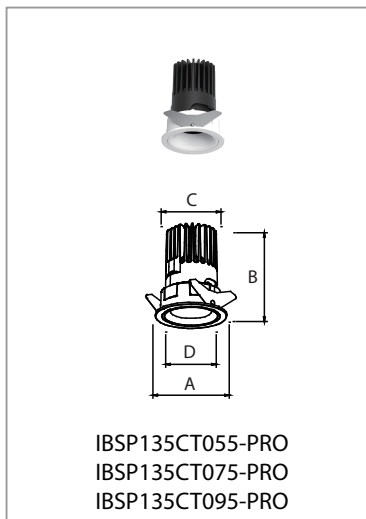
- **High Lumen Output**
Enhanced lumen packages (10W / 20W / 28W) deliver higher brightness, reducing the number of fixtures required.
- **Efficient Project Solution**
Higher output per fixture improves installation efficiency and lowers overall system cost.
- **Scalable Modular System**
Same multi-module configurations (1-4 heads) with upgraded performance, maintaining design consistency.
- **Unified Design Language**
Seamless integration with standard series for mixed-use projects.
- **Robust Thermal & Electrical Stability**
Engineered for stable performance under higher output conditions.



Applications

Designed for:

- **Large-Scale Commercial Projects** : Shopping malls, open offices, and public areas requiring higher illumination levels.
- **Hospitality Public Areas** : Lobbies, reception zones, and circulation spaces with higher ceiling heights.
- **Retail** : Spaces needing stronger ambient lighting combined with accent layers.
- **Architectural Projects** : Ideal where both performance and clean ceiling aesthetics are required.



Measurement

Model	Dimension(mm)				Model	Dimension(mm)			
	A	B	C	D		A	B	C	D
IBSP135CT055-PRO	62	90	54	44	IBSP135SCT055-2H-PRO	118	98	108	104
IBSP135CT075-PRO	84	110	73	63	IBSP135SCT075-2H-PRO	157	121	146	142
IBSP135CT095-PRO	105	130	92	82	IBSP135SCT095-2H-PRO	197	146	187	182
IBSP135CT055-2H-PRO	140	95	126	121	IBSP135SCT055-3H-PRO	170	98	161	156
IBSP135CT075-2H-PRO	194	121	177	174	IBSP135SCT075-3H-PRO	229	121	218	215
IBSP135CT095-2H-PRO	239	142	222	216	IBSP135SCT095-3H-PRO	290	146	280	275
IBSP135SCT055-PRO	64	98	54	51	IBSP135SCT055-4H-PRO	225	98	215	211
IBSP135SCT075-PRO	85	121	74	70	IBSP135SCT075-4H-PRO	303	121	292	288
IBSP135SCT095-PRO	105	146	94	90	IBSP135SCT095-4H-PRO	383	146	373	368

Technical Specifications

Model No.	IBSP135CT055-PRO IBSP135CT075-PRO IBSP135CT095-PRO	IBSP135CT055-2H-PRO IBSP135CT075-2H-PRO IBSP135CT095-2H-PRO	IBSP135SCT055-PRO IBSP135SCT075-PRO IBSP135SCT095-PRO	IBSP135SCT055-2H-PRO IBSP135SCT075-2H-PRO IBSP135SCT095-2H-PRO	IBSP135SCT055-3H-PRO IBSP135SCT075-3H-PRO IBSP135SCT095-3H-PRO	IBSP135SCT055-4H-PRO IBSP135SCT075-4H-PRO IBSP135SCT095-4H-PRO	
Size(mm)	Ø62*H90 Ø84*H110 Ø105*H130	L140*W79*H95 L194*W104*H121 L239*W125*H142	L64*W64*H98 L85*W85*H121 L105*W105*H146	L118*W65*H98 L157*W85*H121 L197*W105*H146	L170*W65*H98 L229*W85*H121 L290*W105*H146	L225*W65*H98 L303*W85*H121 L383*W105*H146	
Cutout(mm)	Ø55 Ø75 Ø95	L128*Ø67 L180*Ø91 L225*Ø112	L55*W55 L75*W75 L95*W95	L110*W57 L148*W76 L188*W96	L162*W57 L221*W76 L281*W96	L218*W57 L295*W76 L375*W96	
Watt(W)	10W 20W 28W	2*10W 2*20W 2*28W	10W 20W 28W	2*10W 2*20W 2*28W	3*10W 3*20W 3*28W	4*10W 4*20W 4*28W	
Optical	Luminous Flux (lm) @4000K	950 1900 2700	1700 3700 5600	950 1900 2700	1700 3700 5600	2700 5500 7900	3600 7400 10600
	Light Source	COB LED					
	LED Brand	Bridgelux / Cree (standard) / Hongli (optional)					
	SDCM	<5					
	CCT(K)	2700K / 3000K / 3500K / 4000K / 5700K / 6500K					
	CRI	Ra≥80/90					
	Beam Angle (°)	15° / 24° / 36° / 50°					
	UGR	<13					

Technical Specifications

Model No.	IBSP135CT055-PRO	IBSP135CT075-PRO	IBSP135CT095-PRO	
	IBSP135CT055-2H-PRO	IBSP135CT075-2H-PRO	IBSP135CT095-2H-PRO	
	IBSP135SCT055-PRO	IBSP135SCT075-PRO	IBSP135SCT095-PRO	
	IBSP135SCT055-2H-PRO	IBSP135SCT075-2H-PRO	IBSP135SCT095-2H-PRO	
	IBSP135SCT055-3H-PRO	IBSP135SCT075-3H-PRO	IBSP135SCT095-3H-PRO	
	IBSP135SCT055-4H-PRO	IBSP135SCT075-4H-PRO	IBSP135SCT095-4H-PRO	
Electrical	LED Driver	Lifud / BOKE / Tridonic		
	Rated Input Voltage(V)	AC200-240V 50/60Hz		
	Power Factor	>0.9		
	Efficiency	≥82%	≥86%	≥86%
	Rated Input Current	≤0.07A	≤0.14A	≤0.24A
	Full load output voltage	DC30-42V	DC28-42V	DC30-42V
	Rated output current	250mA / 2*250mA / 3*250mA / 4*250mA	500mA / 2*500mA / 3*500mA / 4*500mA	700mA / 2*700mA / 3*700mA / 4*700mA
	Dimming Option	Non-dimma ble / 1-10V / Triac / DALI dimmable / Casambi		
	Power tolerance	±5%		
	Current output tolerance	±5%		
	Protection Class	Class II		
	Short circuit protection Over voltage protection Over temperature protection	PASS		
	THD	<20%@230V		
	Surge	L-N:2KV		
Withstand voltage	I/P-O/P:3.75KV AC			
Mechanical	Finishing color	Black / White		
	Material	Aluminium		
	IP Rating	IP50		
Environmental	Lifetime (hr)	50,000		
	Operating Temp.(°C)	-20°C~45°C		
	Storage Temp.(°C)	-20°C~65°C		

Installation Procedure

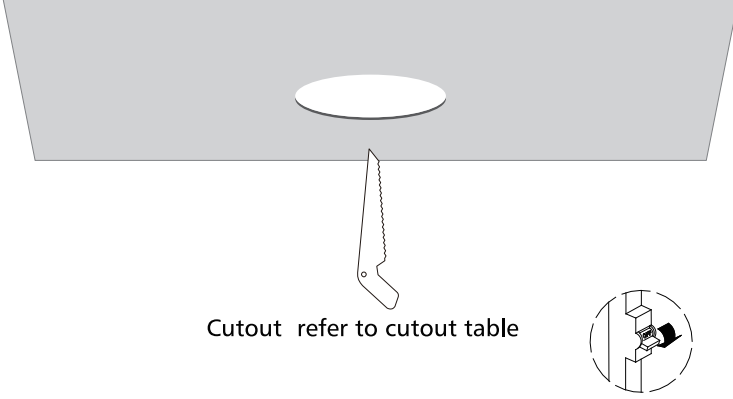
WARNING

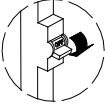
1. Switch off before installation.
2. Switch on only after complete installation and examination of the circuit.
3. Professional electrician for installation and maintenance only.

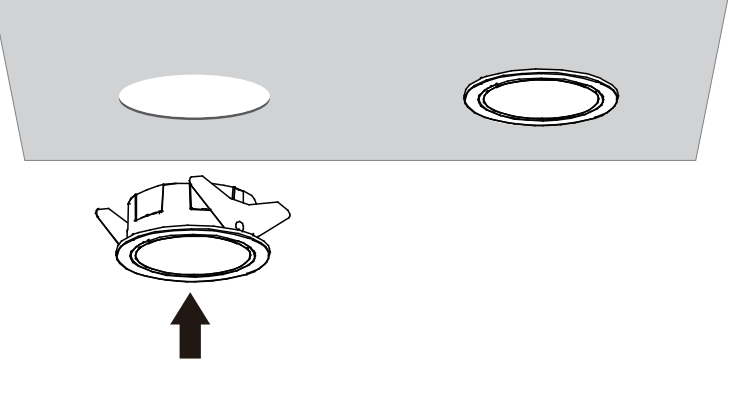


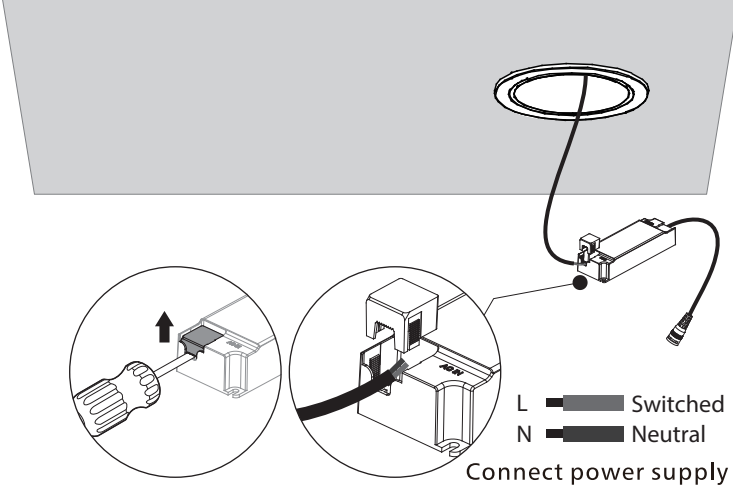
**Turn Off
Power Supply**

- Turn Off power supply before starting any installation. Read instructions & check you have all the tools & accessories to complete the installation correctly.



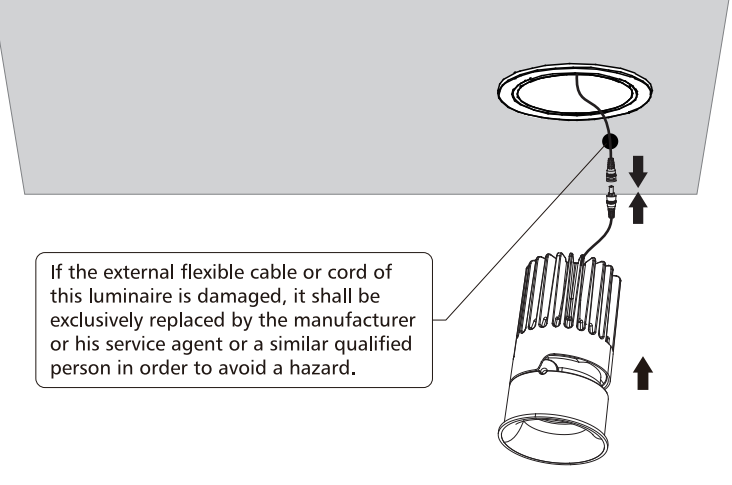
Cutout refer to cutout table 



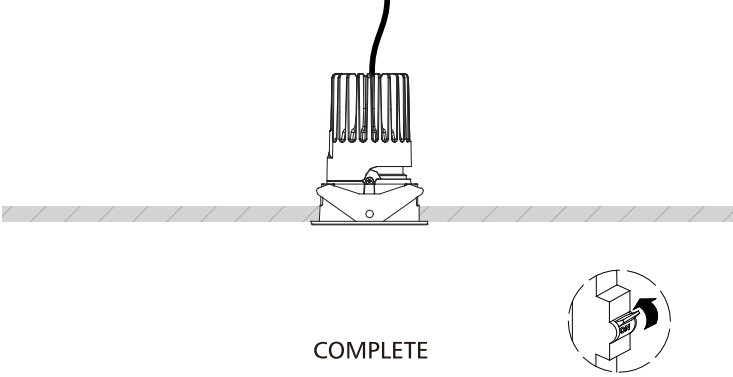



L Switched
N Neutral

Connect power supply




If the external flexible cable or cord of this luminaire is damaged, it shall be exclusively replaced by the manufacturer or his service agent or a similar qualified person in order to avoid a hazard.



COMPLETE 

Item	Product Size (mm)	Cutout(mm)
1	Ø62*H90	Ø55
2	Ø84*H110	Ø75
3	Ø105*H130	Ø95
4	L140*W79*H95	L128*Ø67
5	L194*W104*H121	L180*Ø91
6	L239*W125*H142	L225*Ø112

The light source contained in this luminaire shall only be replaced by the manufacturer or his service agent or a similar qualified person. 

Caution, risk of Electric shock.

1 2

3 4

5

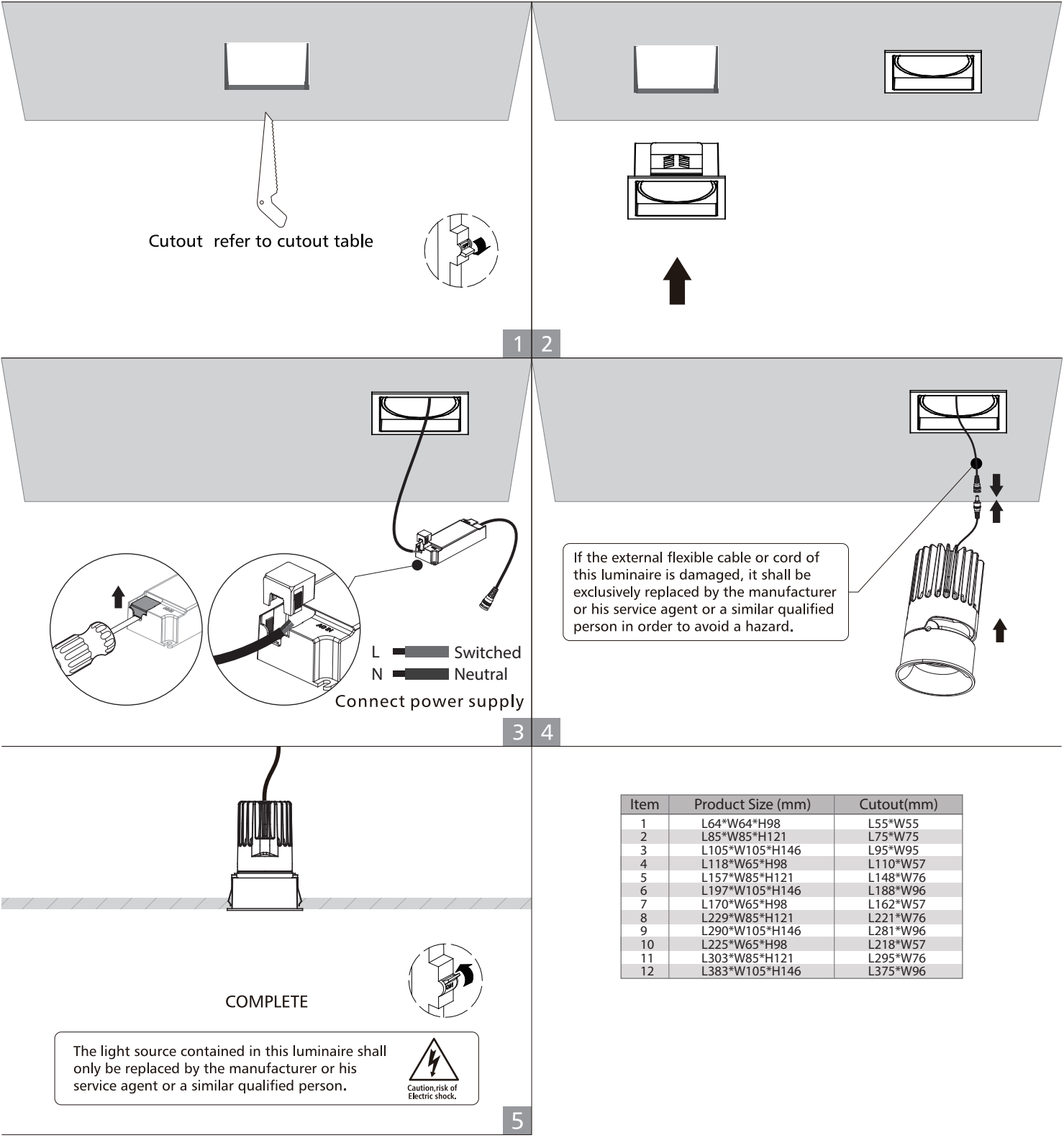
Installation Procedure

WARNING ⚡

- 1. Switch off before installation.
- 2. Switch on only after complete installation and examination of the circuit.
- 3. Professional electrician for installation and maintenance only.



Turn Off power supply before starting any installation. Read instructions & check you have all the tools & accessories to complete the installation correctly.



Item	Product Size (mm)	Cutout(mm)
1	L64*W64*H98	L55*W55
2	L85*W85*H121	L75*W75
3	L105*W105*H146	L95*W95
4	L118*W65*H98	L110*W57
5	L157*W85*H121	L148*W76
6	L197*W105*H146	L188*W96
7	L170*W65*H98	L162*W57
8	L229*W85*H121	L221*W76
9	L290*W105*H146	L281*W96
10	L225*W65*H98	L218*W57
11	L303*W85*H121	L295*W76
12	L383*W105*H146	L375*W96