

Mini IBSP135 133 Series Deep trim Recessed LED Downlight | Reflector Changeable



Key Features

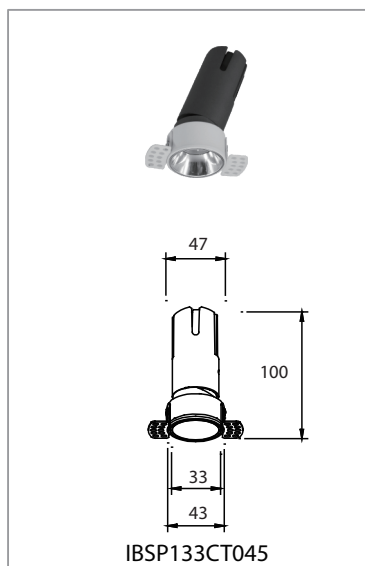
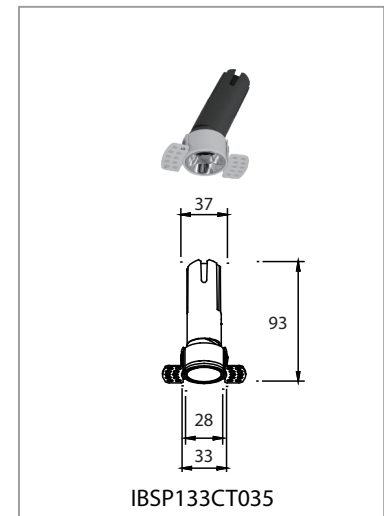
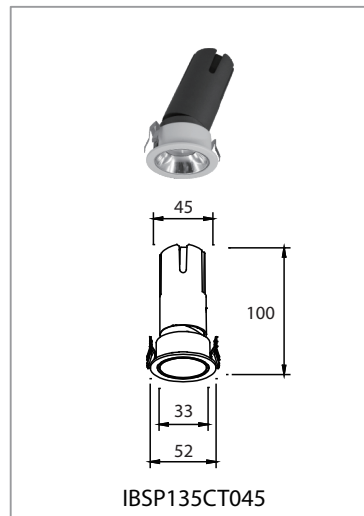
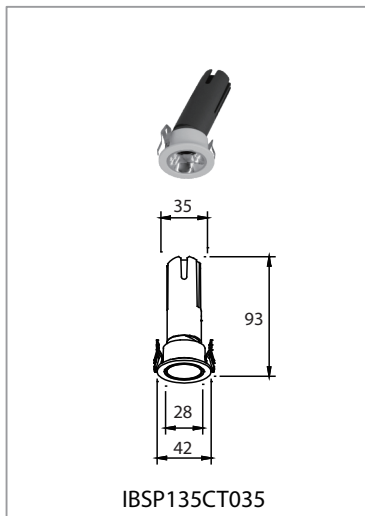
- **Deep Recessed Design for Advanced Glare Control**
The recessed light source minimizes direct glare, delivering superior visual comfort for high-end architectural applications.
- **Interchangeable Reflector System**
Reflectors can be easily replaced, allowing customized light effects and greater design flexibility for different spaces.
- **Miniature Design for Subtle Integration**
Compact form factor with small cutout (Ø35-47mm) enables discreet installation, ideal for refined architectural details.
- **Efficient Thermal Structure**
Die-cast aluminum housing with integrated heatsink ensures stable performance despite compact size.



Applications

Designed for:

- **Hospitality** (Hotels, Lobbies, Restaurants, Guestrooms)
- **Commercial & Retail** (Boutiques, Showrooms)
- **Office & Corporate Spaces** (Meeting Rooms, Offices)
- **Public Areas** (Corridors, Reception Areas)



Measurement

Model	Dimension(mm)				Product Weight (Kg)		Package weight (Kg)		Carton Size(cm)	Qty/CTN	20GP (pcs)	40GP (pcs)
	A	B	C	D	N.W/PC	G.W/PC	N.W/CTN	G.W/CTN				
IBSP135CT035	42	93	35	28	/	/	/	/	/	/	/	/
IBSP135CT045	52	100	45	33	/	/	/	/	/	/	/	/
IBSP133CT035	33	93	37	28	/	/	/	/	/	/	/	/
IBSP133CT045	43	100	47	33	/	/	/	/	/	/	/	/

Technical Specifications

Model No.	IBSP135CT035	IBSP135CT045	IBSP133CT035	IBSP133CT045
Size(mm)	Ø42*93	Ø52*100	Ø33*93	Ø43*100
Cutout(mm)	Ø35-38	Ø45-48	Ø37	Ø47
Watt(W)	5W	8W	5W	8W
Luminous Flux (lm) @4000K	200	500	200	500
Light Source	SMD LED	COB LED	SMD LED	COB LED
LED Brand	Bridgelux / Hongli (optional)			
SDCM	<5			
CCT(K)	2700K / 3000K / 3500K / 4000K / 5700K / 6500K			
CRI	Ra≥80/90			
Beam Angle (°)	24° / 38°	15° /24° / 38° /55°	24° / 38°	15° /24° / 38° /55°
UGR	<13			
LED Driver	Lifud / BOKE / Tridonic			
Rated Input Voltage(V)	AC200-240V 50/60Hz			
Power Factor	>0.9			
Efficiency	≥60%	≥82%	≥60%	≥82%
Rated Input Current	≤0.07A	≤0.07A	≤0.08A	≤0.07A
Full load output voltage	DC 3-5V	DC 30-40V	DC 3-5V	DC 30-40V
Rated output current	1000mA	200mA	1000mA	200mA
Dimming Option	Non-dimmable / 1-10V / Triac / DALI dimmable / Casambi			
Power tolerance	±5%			
Current output tolerance	±5%			
Protection Class	Class II			
Short circuit protection Over voltage protection Over temperature protection	PASS			
THD	<25%@230V			
Surge	L-N:2KV			
Withstand voltage	I/P-O/P:3.75KV AC			
Finishing color	Black / White			
Material	Aluminium			
IP Rating	IP20			
Lifetime (hr)	50,000			
Operating Temp.(°C)	-20°C~45°C			
Storage Temp.(°C)	-20°C~65°C			

Installation Procedure

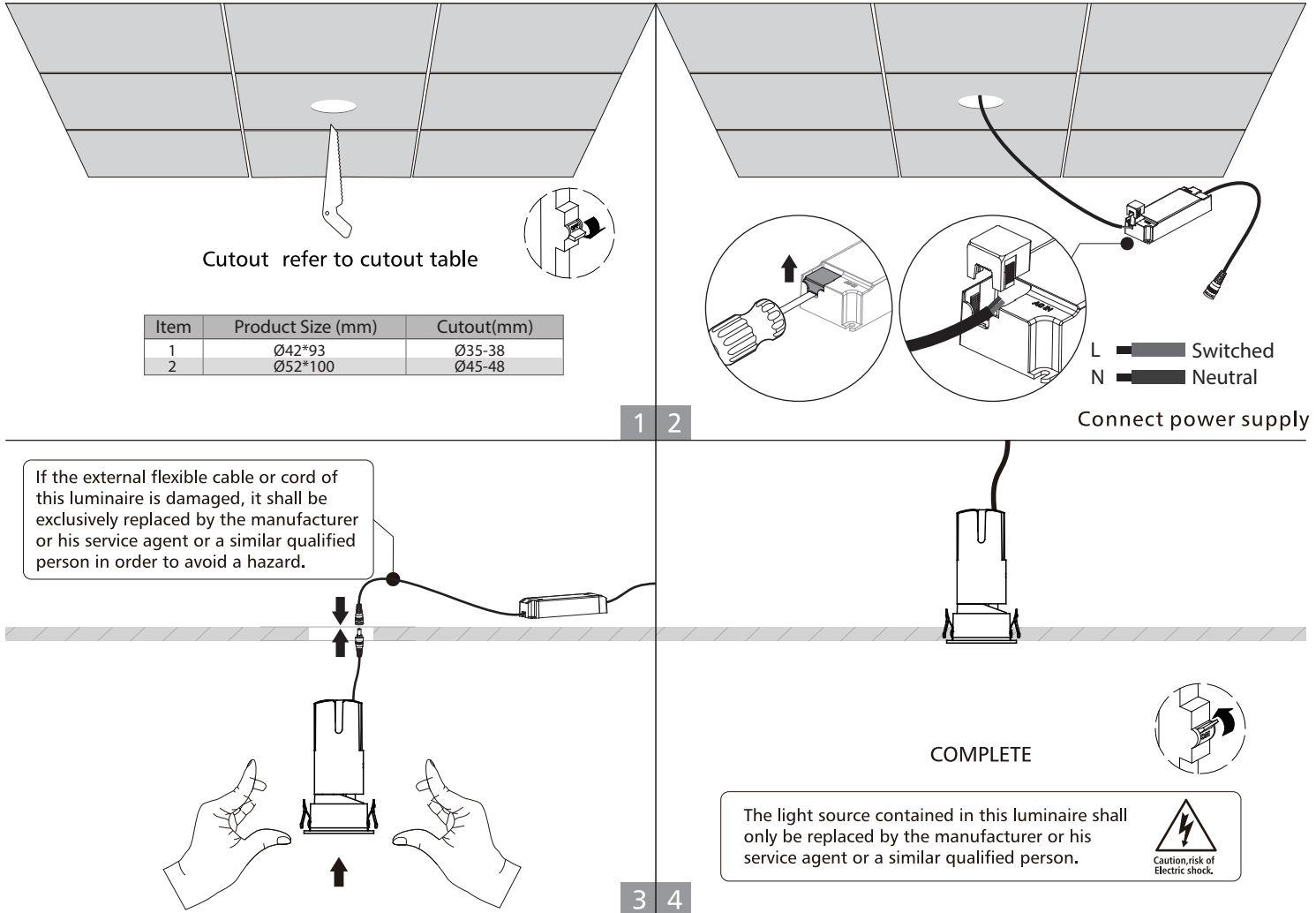
WARNING

1. Switch off before installation.
2. Switch on only after complete installation and examination of the circuit.
3. Professional electrician for installation and maintenance only.



**Turn Off
Power Supply**

- Turn Off power supply before starting any installation. Read instructions & check you have all the tools & accessories to complete the installation correctly.



Installation Procedure

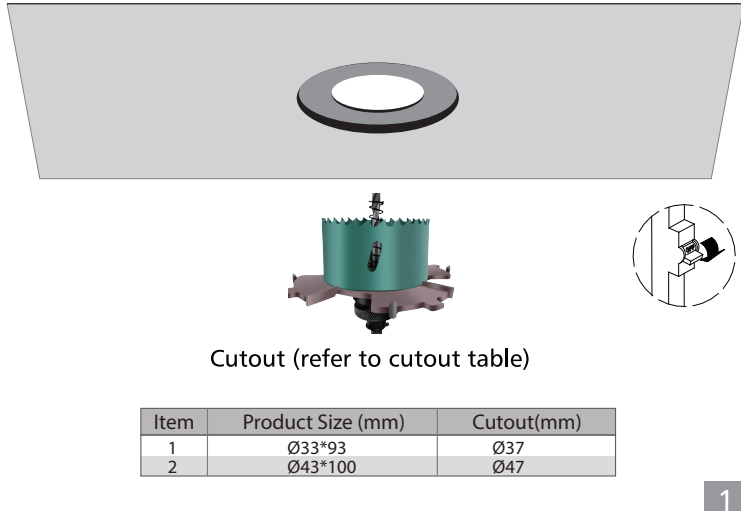
WARNING

1. Switch off before installation.
2. Switch on only after complete installation and examination of the circuit.
3. Professional electrician for installation and maintenance only.



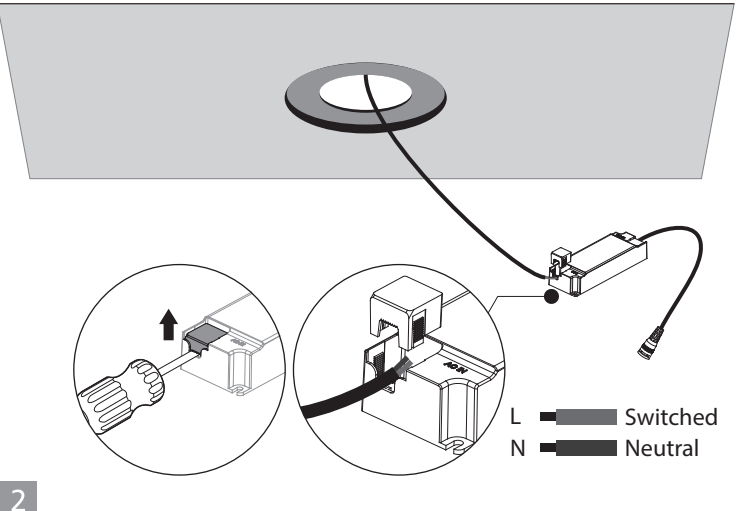
**Turn Off
Power Supply**



■ Turn Off power supply before starting any installation. Read instructions & check you have all the tools & accessories to complete the installation correctly.



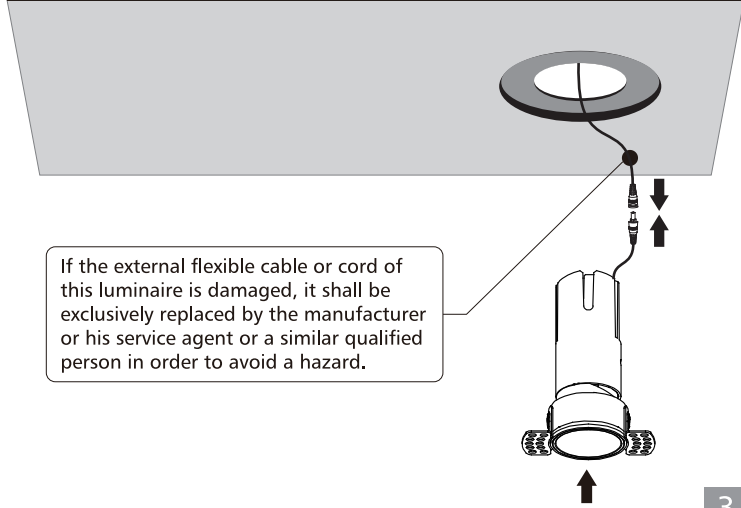
Cutout (refer to cutout table)

Item	Product Size (mm)	Cutout(mm)
1	Ø33*93	Ø37
2	Ø43*100	Ø47

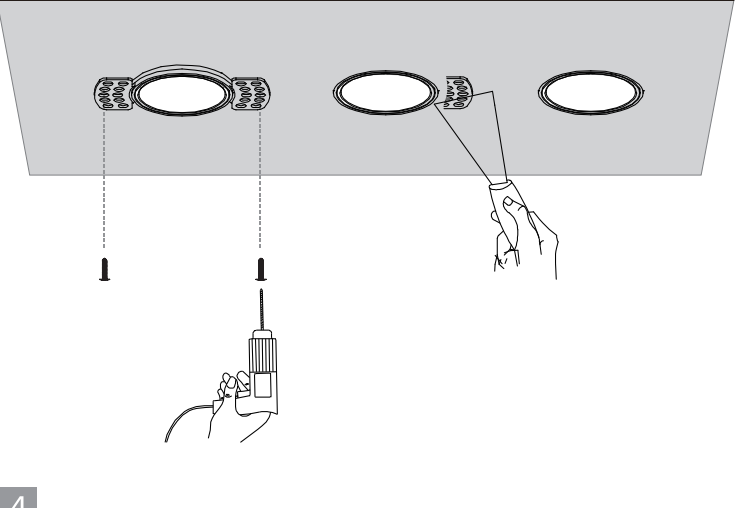


L  Switched
N  Neutral

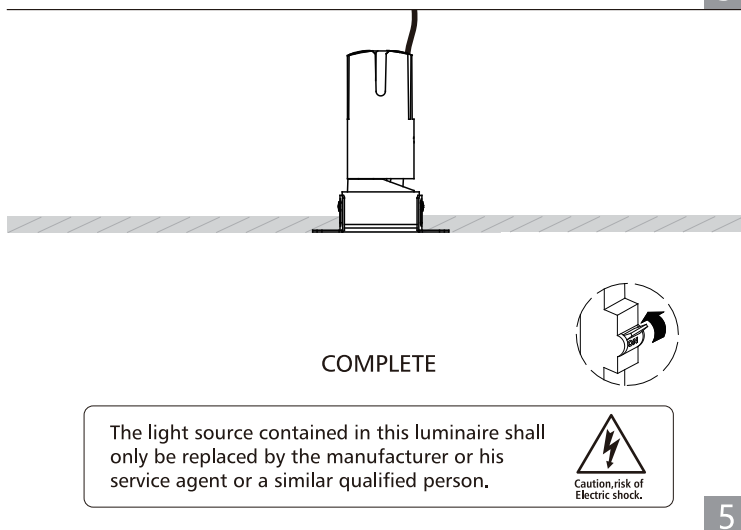
1 2



If the external flexible cable or cord of this luminaire is damaged, it shall be exclusively replaced by the manufacturer or his service agent or a similar qualified person in order to avoid a hazard.




3 4



COMPLETE

The light source contained in this luminaire shall only be replaced by the manufacturer or his service agent or a similar qualified person.



Caution, risk of
Electric shock.

5