

IBDL238 Series Surface Mount LED Downlight Optional Honeycomb Louver

Key Features

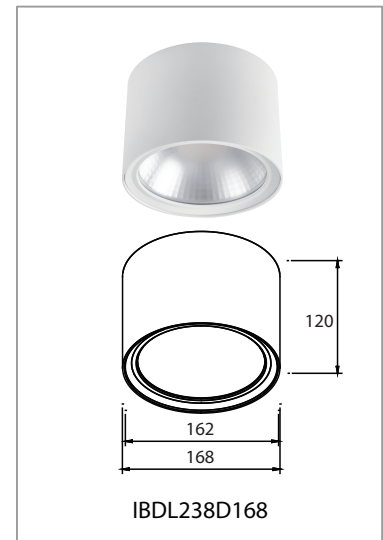
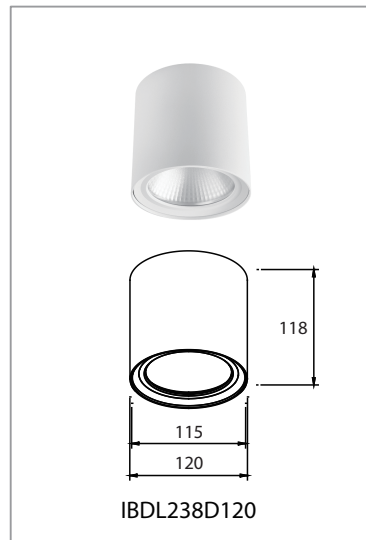
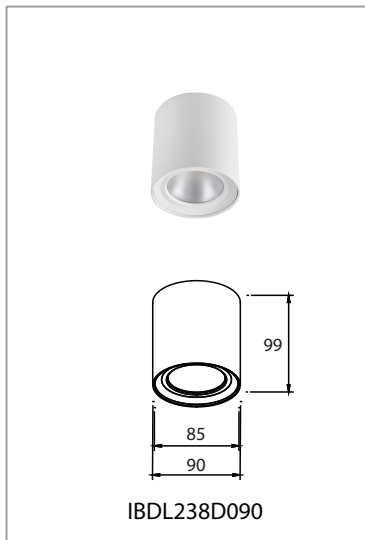
- **Clean Surface-Mounted Design**
Minimal cylindrical form creates a strong architectural presence while maintaining visual simplicity.
- **Surface & Pendant Flexibility**
Available in both surface-mounted and suspended versions to suit different ceiling conditions and design intents.
- **Soft and Uniform Light Distribution**
60° beam provides comfortable general lighting with smooth and even illumination.
- **Enhanced Visual Comfort**
Optional honeycomb louvre reduces glare and improves lighting quality in visual-critical environments.
- **IP65 Protection Option**
Suitable for humid or semi-exposed areas, ensuring durability and reliability.



Applications

Designed for:

- **Hospitality** : Lobbies, reception areas, and guestrooms where both lighting and form contribute to the spatial identity.
- **Commercial & Office** : Corridors, meeting rooms, and open areas requiring clean, modern surface lighting solutions.
- **Residential** : Spaces without false ceilings, offering a refined alternative to recessed lighting.
- **Restaurant & Retail** : Ideal for creating a structured lighting rhythm with surface or suspended installations.



Measurement

Model	Dimension(mm)			Product Weight (Kg)		Package weight (Kg)		Carton Size(cm)	Qty/CTN
	A	B	C	N.W/PC	G.W/PC	N.W/CTN	G.W/CTN		
IBDL238CT090	90	99	85	/	/	/	/	/	/
IBDL238CT120	120	118	115	/	/	/	/	/	/
IBDL238CT168	168	120	162	/	/	/	/	/	/

Technical Specifications

Model No.	IBDL238CT090	IBDL238CT120	IBDL238CT168
Size(mm)	Ø90*99	Ø120*118	Ø168*120
Watt(W)	15W	30W	50W
Luminous Flux (lm) @4000K	1600	3400	5800
Light Source	SMD LED		
LED Brand	Bridgelux / Hongli (optional)		
SDCM	<5		
CCT(K)	2700K / 3000K / 3500K / 4000K / 5700K / 6500K		
CRI	Ra≥80/90		
Beam Angle (°)	60°		
UGR	<19		
LED Driver	Lifud / BOKE / Tridonic		
Rated Input Voltage(V)	AC220-240V 50/60Hz		
Power Factor	>0.9		
Efficiency	85%	88%	88%
Rated Input Current	≤0.13A	≤0.25A	≤0.25A
Full load output voltage	DC 30-55V	DC 35-55V	DC 25-40V
Rated output current	350mA	750mA	1200mA
Dimming Option	Non-dimmable / 1-10V / Triac / DALI dimmable / Casambi		
Power tolerance	±5%		
Current output tolerance	±5%		
Protection Class	Class I		
Short circuit protection Over voltage protection Over temperature protection	PASS		
THD	≤20%@230V		
Leakage Current	I/P-O/P : 250uA		
Withstand voltage	L/N : 2KV		
Finishing color	Black / White		
Material	Aluminium		
IP Rating	IP65		
Lifetime (hr)	50,000		
Operating Temp.(°C)	-20°C~65°C		
Storage Temp.(°C)	-20°C~85°C		

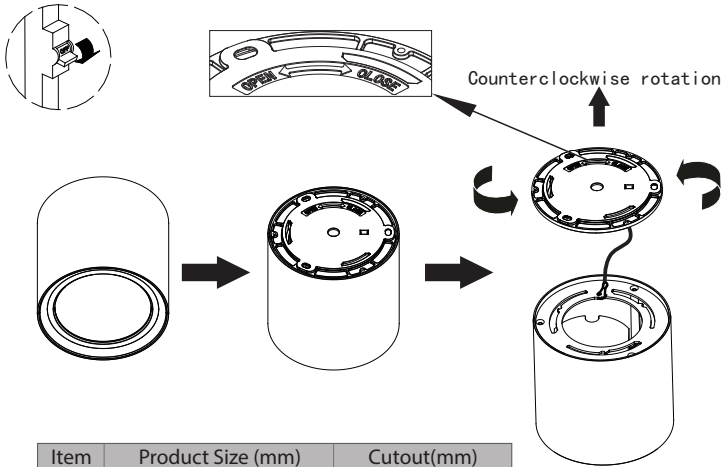
Installation Procedure

WARNING

1. Switch off before installation.
2. Switch on only after complete installation and examination of the circuit.
3. Professional electrician for installation and maintenance only.

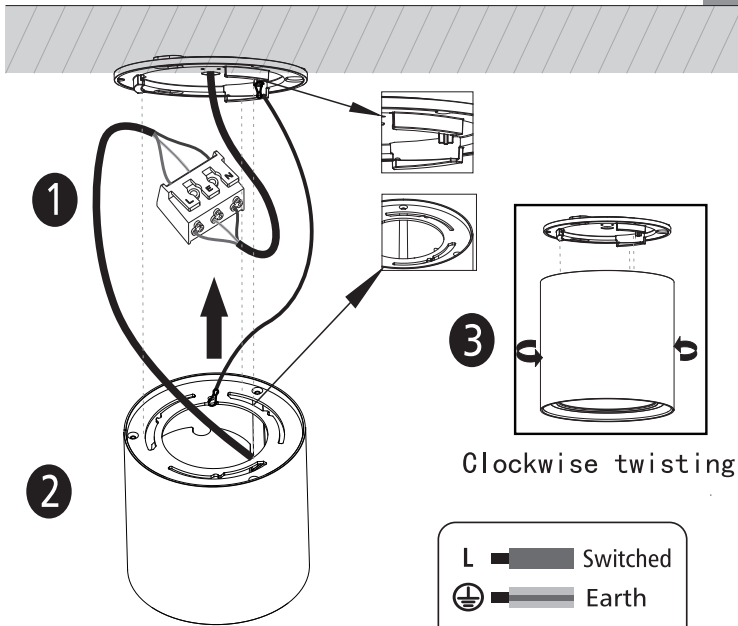
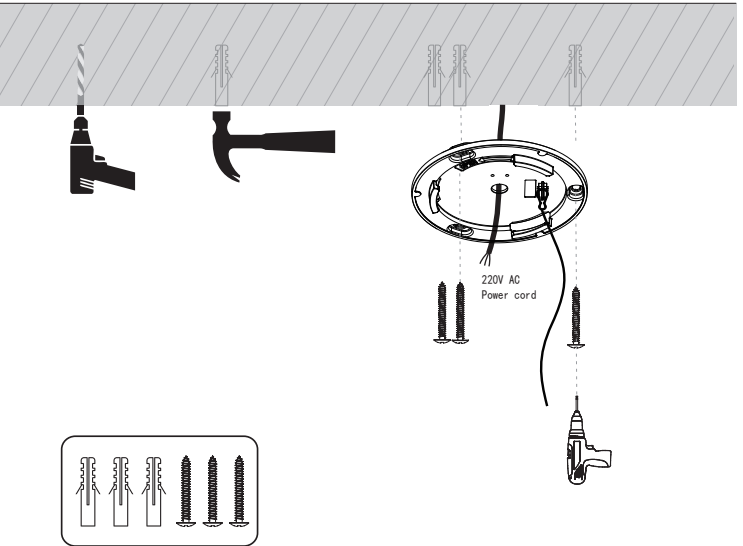


Turn Off power supply before starting any installation. Read instructions & check you have all the tools & accessories to complete the installation correctly.

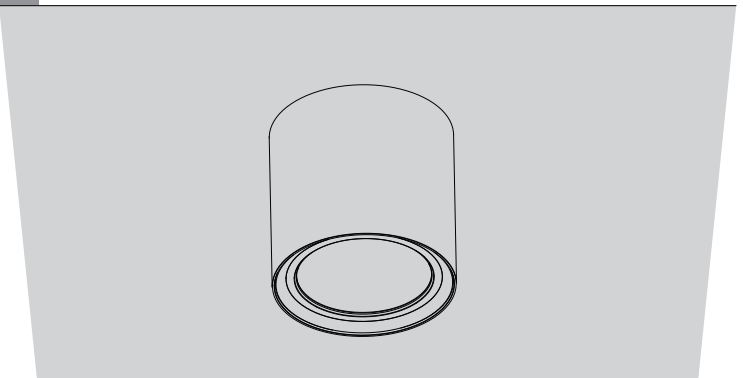


Item	Product Size (mm)	Cutout(mm)
1	Ø90*99	/
2	Ø120*118	/
3	Ø168*120	/

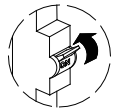
1 2



3 4



COMPLETE



The light source contained in this luminaire shall only be replaced by the manufacturer or his service agent or a similar qualified person.

