

## IBDL275 Series Deep trim Recessed LED Downlight | Safety Glass, Honeycomb Louver Optional

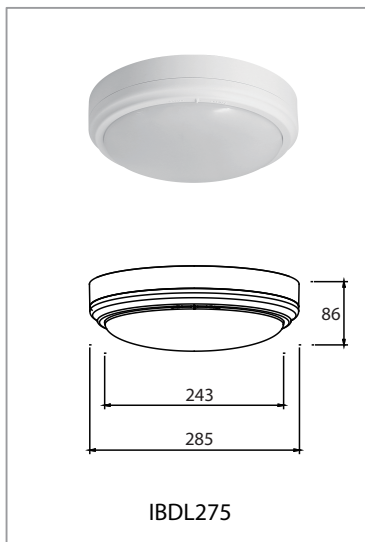
### Key Features

- Robust IP65 construction ensuring reliable performance in humid and semi-outdoor environments
- Uniform diffused light distribution for soft, glare-free illumination  
Integrated design with clean, minimal geometry suitable for both wall and ceiling mounting
- Optional motion sensor and emergency module for enhanced safety and energy efficiency
- Durable aluminum housing with PC diffuser for long-term stability
- High-output efficiency delivering consistent general lighting with reduced maintenance

### Applications

Designed for:

- Corridors, staircases and circulation areas requiring safe and uniform lighting
- Residential and commercial balconies, entrances and transitional spaces
- Hospitality back-of-house and service areas
- Parking areas and utility zones with humidity or dust exposure
- Public buildings such as hospitals and schools where reliability is essential



## Measurement

Model	Dimension(mm)			Product Weight (Kg)		Package weight (Kg)		Carton Size(cm)	Qty/CTN
	A	B	C	N.W/PC	G.W/PC	N.W/CTN	G.W/CTN		
IBDL275	285	86	243	/	/	/	/	/	/

## Technical Specifications

Model No.	IBDL275		
Size(mm)	Ø285*86		
Watt(W)	30W		
Optical	Luminous Flux (lm) @4000K	3700	
	Light Source	SMD LED	
	LED Brand	Bridgelux / Hongli (optional)	
	SDCM	<5	
	CCT(K)	2700K / 3000K / 3500K / 4000K / 5700K / 6500K	
	CRI	Ra≥80/90	
	Beam Angle (°)	160°	
	UGR	<25	
Electrical	LED Driver	Lifud / BOKE / Tridonic	
	Rated Input Voltage(V)	AC220-240V 50/60Hz	
	Power Factor	>0.9	
	Efficiency	≥89%	
	Rated Input Current	≤0.3A	
	Full load output voltage	DC 33-40V	
	Rated output current	800mA	
	Dimming Option	Non-dimmable / 1-10V / Triac / DALI dimmable / Casambi	
	Power tolerance	±5%	
	Current output tolerance	±5%	
	Protection Class	Class II	
	Short circuit protection Over voltage protection Over temperature protection	PASS	
	THD	<20%@230V	
Insulation Resistance	I/P-O/P: >100MΩ@500Vdc		
Withstanding Voltage	I/P-O/P: 3.75kV&5mA&60S		
Mechanical	Finishing color	Black / White	
	Material	Aluminium	
	IP Rating	IP20; IP65 on the visible part of the product once installed	
Environmental	Lifetime (hr)	50,000	
	Operating Temp.(°C)	-20°C~45°C	
	Storage Temp.(°C)	-20°C~65°C	

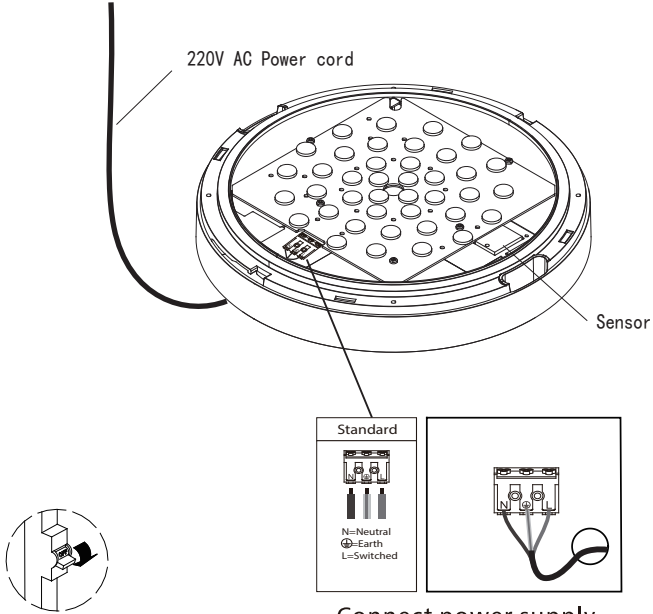
## WARNING

1. Switch off before installation.
2. Switch on only after complete installation and examination of the circuit.
3. Professional electrician for installation and maintenance only.



**Turn Off  
Power Supply**

- Turn Off power supply before starting any installation. Read instructions & check you have all the tools & accessories to complete the installation correctly.



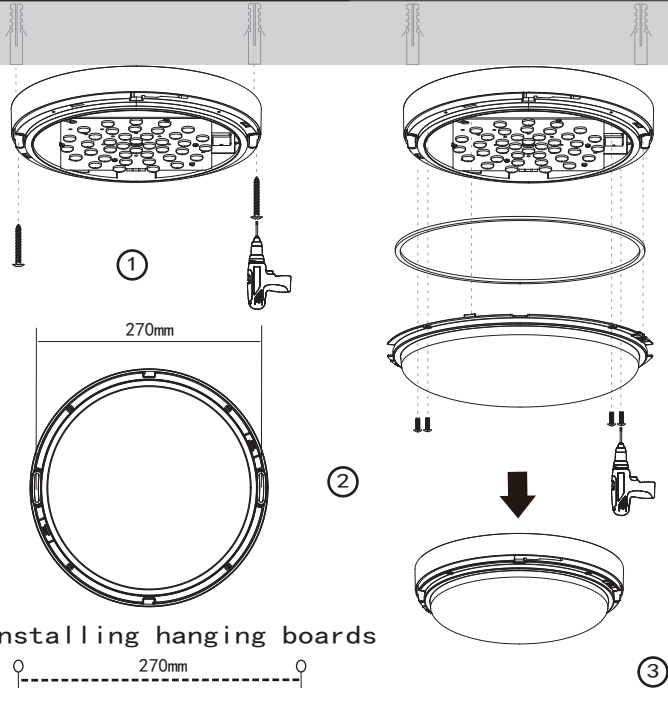
220V AC Power cord

Sensor

Standard

N=Neutral  
Earth  
L=Switched

Connect power supply



1

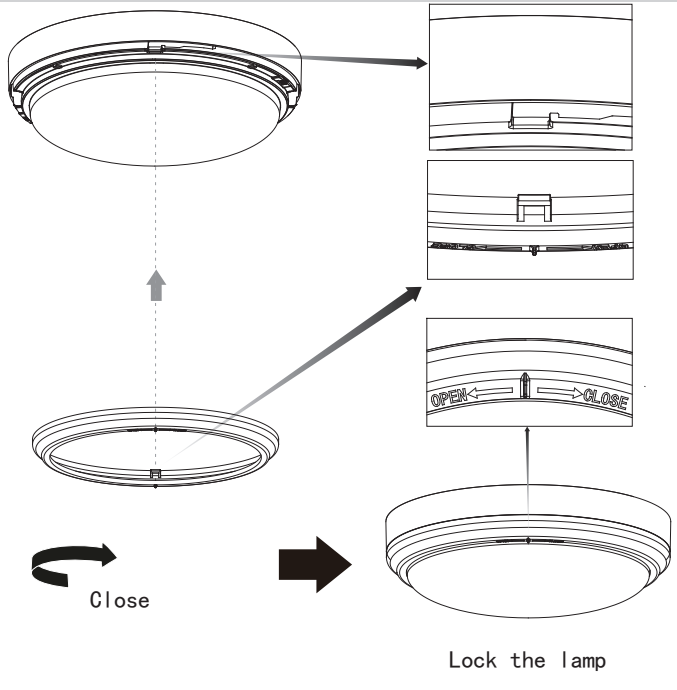
270mm

2

Installing hanging boards

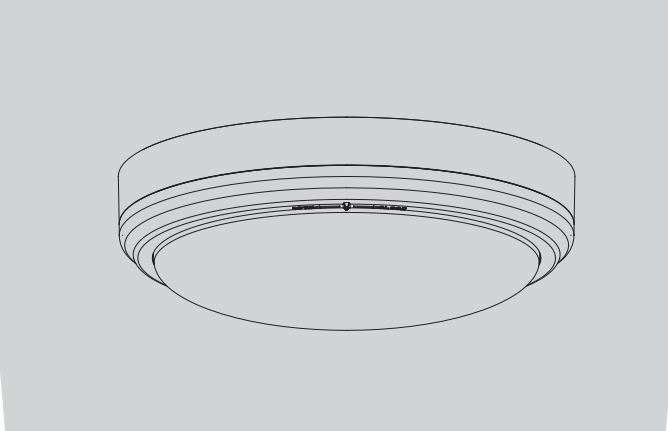
270mm

3



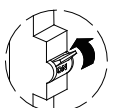
Close

Lock the lamp



COMPLETE

The light source contained in this luminaire shall only be replaced by the manufacturer or his service agent or a similar qualified person.



Caution, risk of Electric shock.

1 2

3 4