

IBDL226 Series Deep trim Recessed LED Downlight



Key Features

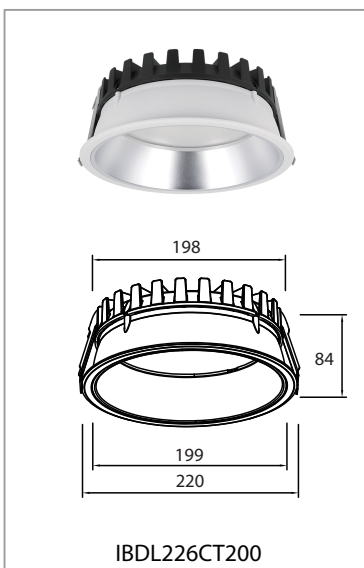
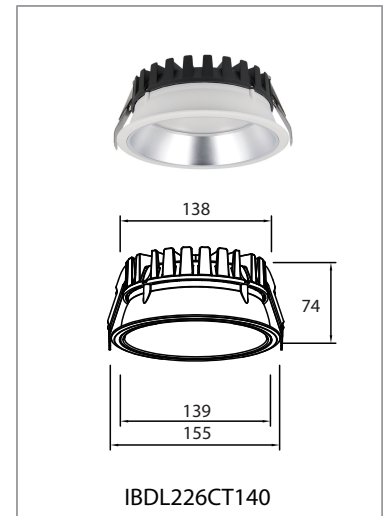
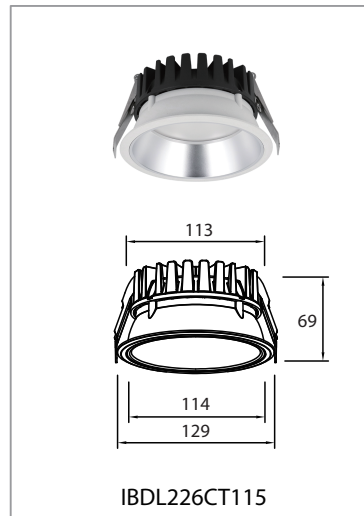
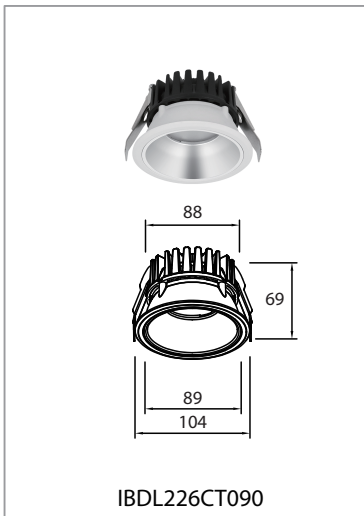
- **Wide Beam Illumination**
85° beam angle, ideal for broad and uniform general lighting.
- **Flexible CCT Switching**
Optional CCT switch (2700K–6500K), enabling on-site adjustment for different project needs.
- **Premium Reflector Options**
Pure aluminum reflector with multiple finishes: mirror / silver / white / black, supporting diverse design aesthetics.
- **Efficient Light Output**
Up to 5000 lm with optimized efficacy, suitable for medium to high ceiling applications.
- **Dual Optical Comfort Options**
Available with reflector or prismatic diffuser to balance brightness, uniformity, and visual comfort.
- **Reliable Thermal Structure**
Die-cast aluminum housing with integrated heatsink ensures long-term stability.



Applications

Designed for:

- **Hospitality** : Hotels, restaurants, lounges
- **Office & Corporate** : Open offices, meeting rooms
- **Commercial & Retail** : Shopping malls, supermarkets, open retail areas
- **Public Areas** : Corridors, lobbies, circulation zones
- **Flexible Project Applications** : Ideal for projects requiring on-site CCT adjustment and adaptable lighting solutions.



Measurement

Model	Dimension(mm)				Product Weight (Kg)		Package weight (Kg)		Carton Size(cm)	Qty/CTN
	A	B	C	D	N.W/PC	G.W/PC	N.W/CTN	G.W/CTN		
IBDL226CT090	104	69	88	89	0.3	0.35	9.6	11.9	L500*W380*H260	32
IBDL226CT115	129	69	113	114	0.42	0.47	12.6	14.8	L570*W350*H295	30
IBDL226CT140	155	74	138	139	0.55	0.6	9.9	11.5	L575*W390*H500	18
IBDL226CT200	220	84	198	199	0.98	1.09	9.8	11.6	L500*W290*H380	10

Technical Specifications

Model No.	IBDL226CT090	IBDL226CT115	IBDL226CT140	IBDL226CT200
Size(mm)	Ø104*69	Ø129*69	Ø155*74	Ø220*84
Cutout(mm)	Ø90-100	Ø115-120	Ø140-150	Ø200-210
Watt(W)	15W	20W	25W	42W
Luminous Flux (lm) @4000K	1400	2000	2600	5000
Light Source	SMD LED			
LED Brand	Bridgelux / Hongli (optional)			
SDCM	<5			
CCT(K)	2700K / 3000K / 3500K / 4000K / 5700K / 6500K			
CRI	Ra≥80/90			
Beam Angle (°)	85°			
UGR	<19			
LED Driver	Lifud / BOKE / Tridonic			
Rated Input Voltage(V)	AC200-240V 50/60Hz			
Power Factor	>0.9			
Efficiency	≥86%	≥86%	≥87%	≥87%
Rated Input Current	≤0.11A	≤0.14A	≤0.24A	≤0.24A
Full load output voltage	DC 28-42V	DC 28-42V	DC 30-42V	DC 30-40V
Rated output current	350mA	500mA	600mA	1000mA
Dimming Option	Non-dimmable / 1-10V / Triac / DALI dimmable / Casambi			
Power tolerance	±5%			
Current output tolerance	±5%			
Protection Class	Class II			
Short circuit protection Over voltage protection Over temperature protection	PASS			
THD	<20%@230V			
Surge	L-N:2KV			
Withstand voltage	I/P-O/P:3.75KV AC			
Finishing color	Black / White			
Material	Aluminium			
IP Rating	IP20; IP54 on the visible part of the product once installed			
Lifetime (hr)	50,000			
Operating Temp.(°C)	-20°C~45°C			
Storage Temp.(°C)	-20°C~65°C			

Installation Procedure

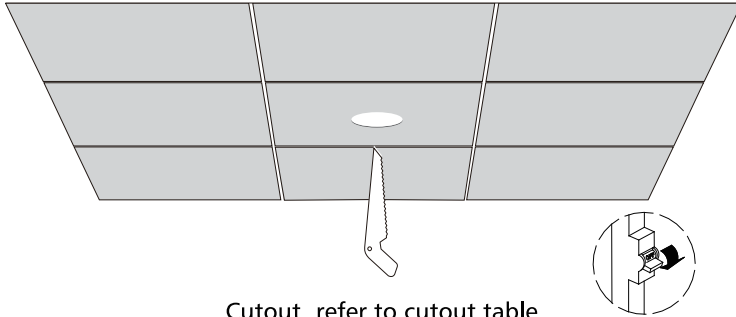
WARNING

1. Switch off before installation.
2. Switch on only after complete installation and examination of the circuit.
3. Professional electrician for installation and maintenance only.



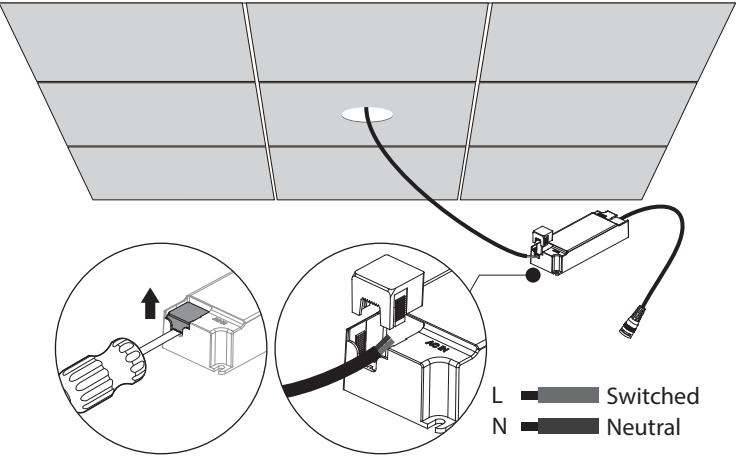
**Turn Off
Power Supply**

- Turn Off power supply before starting any installation. Read instructions & check you have all the tools & accessories to complete the installation correctly.



Cutout refer to cutout table

Item	Product Size (mm)	Cutout(mm)
1	Ø104*69	Ø90-100
2	Ø129*69	Ø115-120
3	Ø155*74	Ø140-150
5	Ø220*84	Ø200-210

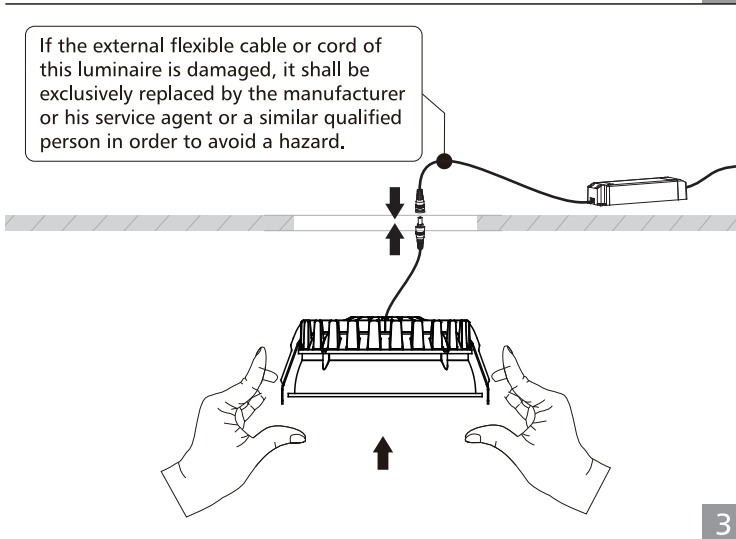


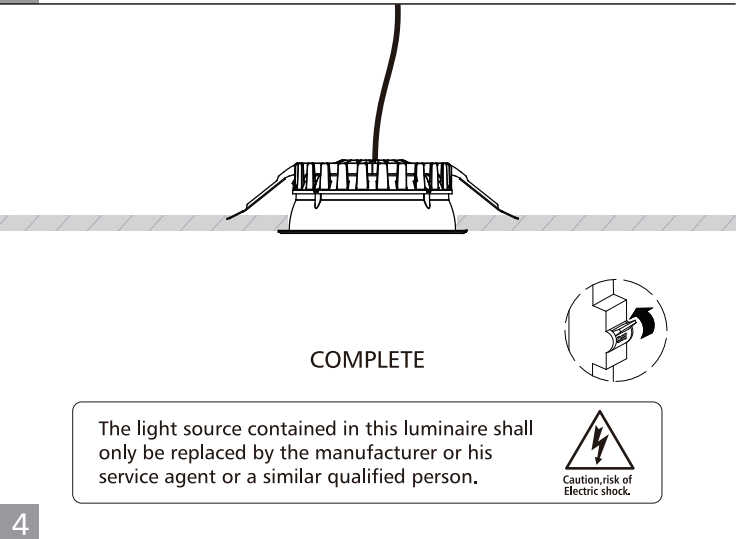
L — Switched
N — Neutral

Connect power supply

1 2


If the external flexible cable or cord of this luminaire is damaged, it shall be exclusively replaced by the manufacturer or his service agent or a similar qualified person in order to avoid a hazard.





COMPLETE

The light source contained in this luminaire shall only be replaced by the manufacturer or his service agent or a similar qualified person.


Caution, risk of Electric shock.

3 4