

IBSP138 Series Asymmetrical Beam & Deep Curve & Narrow Trim LED Downlight | IP65 Safety Glass

Key Features

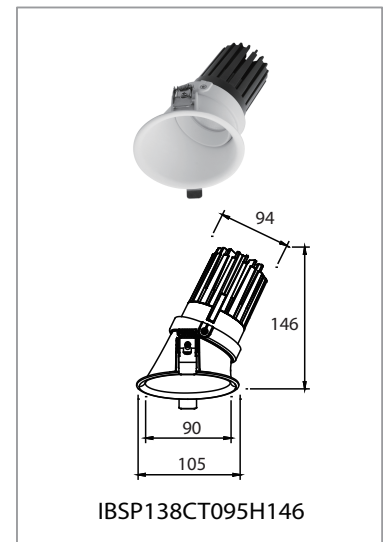
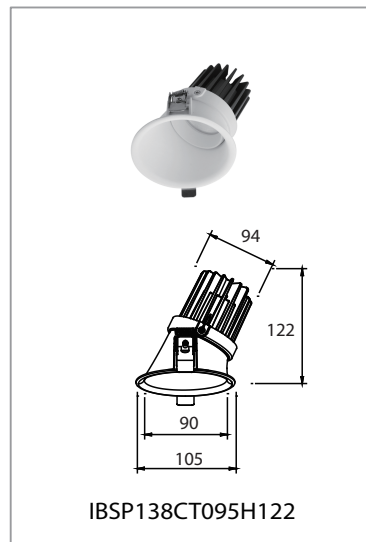
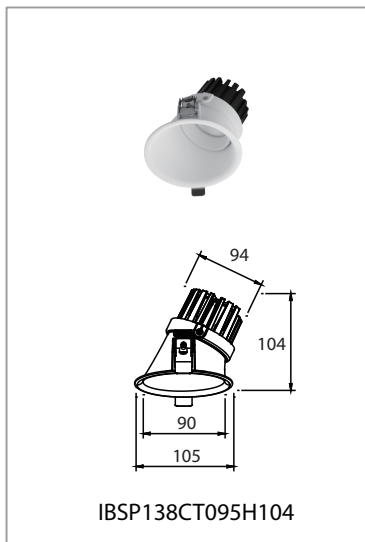
- **Asymmetrical Deep Curve Optics**
Specially engineered optical system delivers smooth, uniform wall-washing with enhanced visual depth.
- **Narrow Trim Architectural Design**
Minimal visible trim ensures a clean ceiling appearance, ideal for high-end architectural integration.
- **Comfort-Oriented Light Distribution**
Deep recessed light source reduces glare while maintaining effective illumination.
- **IP65 Front Protection**
Sealed structure with safety glass diffuser, suitable for humid environments such as bathrooms and spa areas.
- **Reliable Thermal Performance**
Die-cast aluminum housing with integrated heatsink ensures durability and consistent output.



Applications

Designed for:

- **Hospitality:** Guestrooms, Suites, Restaurants
- **Bathrooms & SPA Areas**
- **Corridors & Hallways**
- **Retail & Commercial Spaces**
- **Shops & Display Areas**
- **Architectural Wall Washing & Ambient Lighting**



Measurement

| Model | Dimension(mm) | | | | Product Weight (Kg) | | Package weight (Kg) | | Carton Size(cm) | Qty/CTN |
|------------------|---------------|-----|----|----|---------------------|--------|---------------------|---------|-----------------|---------|
| | A | B | C | D | N.W/PC | G.W/PC | N.W/CTN | G.W/CTN | | |
| IBSP138CT095H104 | 105 | 104 | 94 | 90 | / | / | / | / | / | / |
| IBSP138CT095H122 | 105 | 122 | 94 | 90 | / | / | / | / | / | / |
| IBSP138CT095H146 | 105 | 146 | 94 | 90 | / | / | / | / | / | / |

Technical Specifications

| Model No. | IBSP138CT095H104 | IBSP138CT095H122 | IBSP138CT095H146 |
|--|--|------------------|------------------|
| Size(mm) | Ø105*104 | Ø105*122 | Ø105*146 |
| Cutout(mm) | Ø95-98 | Ø95-98 | Ø95-98 |
| Watt(W) | 10W | 15W | 25W |
| Luminous Flux (lm) @4000K | 1000 | 1500 | 2500 |
| Light Source | COB LED | | |
| LED Brand | Bridgelux / Cree (standard) / Hongli (optional) | | |
| SDCM | <5 | | |
| CCT(K) | 2700K / 3000K / 3500K / 4000K / 5700K / 6500K | | |
| CRI | Ra≥80/90 | | |
| Beam Angle (°) | 38° /45° | | |
| UGR | <19 | | |
| LED Driver | Lifud / BOKE / Tridonic | | |
| Rated Input Voltage(V) | AC200-240V 50/60Hz | | |
| Power Factor | >0.9 | | |
| Efficiency | ≥82% | ≥82% | ≥87% |
| Rated Input Current | ≤0.08A | ≤0.08A | ≤0.14A |
| Full load output voltage | DC 30-42V | DC 30-40V | DC 28-42V |
| Rated output current | 250mA | 350mA | 600mA |
| Dimming Option | Non-dimmable / 1-10V / Triac / DALI dimmable / Casambi | | |
| Power tolerance | ±5% | | |
| Current output tolerance | ±5% | | |
| Protection Class | Class II | | |
| Short circuit protection Over voltage protection Over temperature protection | PASS | | |
| THD | <20%@230V | | |
| Surge | L-N:2KV | | |
| Withstand voltage | I/P-O/P:3.75KV AC | | |
| Finishing color | Black / White | | |
| Material | Aluminium | | |
| IP Rating | IP20; IP65 on the visible part of the product once installed | | |
| Lifetime (hr) | 50,000 | | |
| Operating Temp.(°C) | -20°C~45°C | | |
| Storage Temp.(°C) | -20°C~65°C | | |

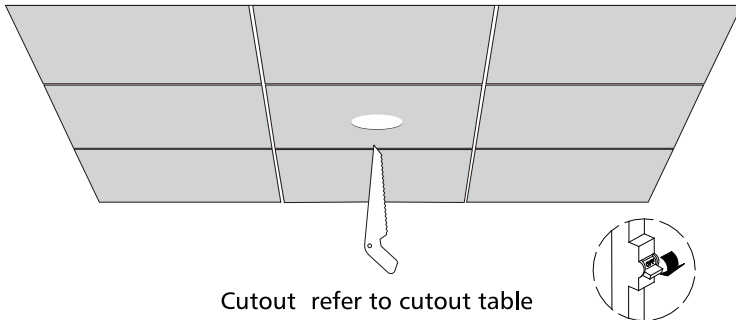
Installation Procedure

WARNING

1. Switch off before installation.
2. Switch on only after complete installation and examination of the circuit.
3. Professional electrician for installation and maintenance only.

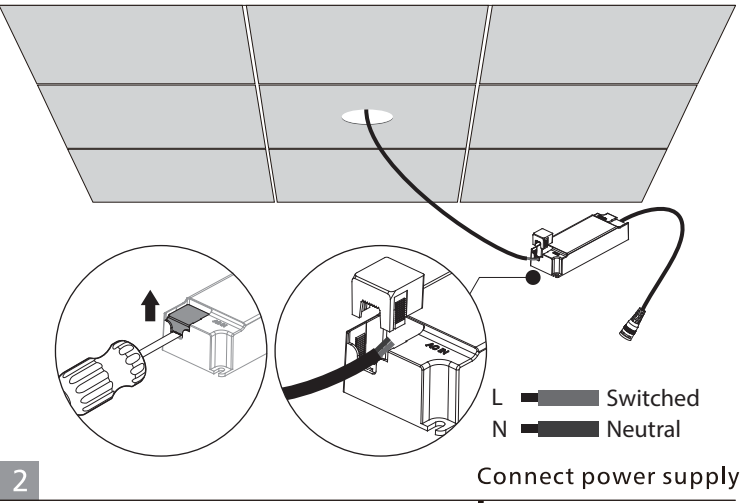




- Turn Off power supply before starting any installation. Read instructions & check you have all the tools & accessories to complete the installation correctly.



Cutout refer to cutout table

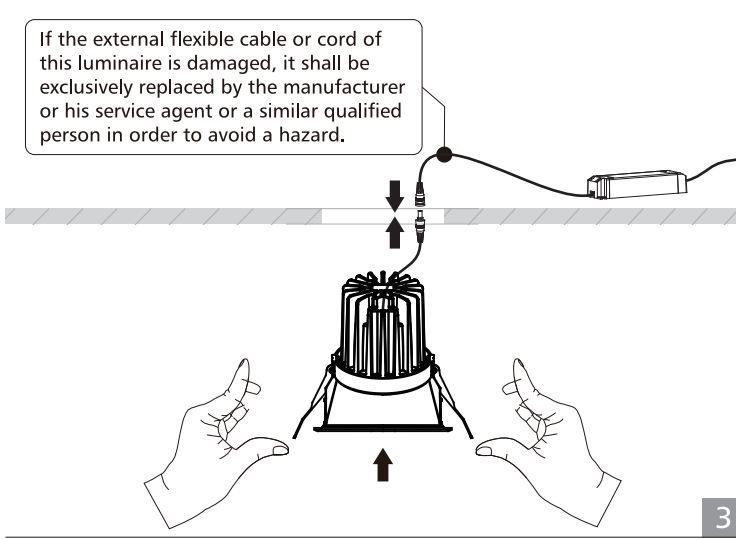
| Item | Product Size (mm) | Cutout(mm) |
|------|-------------------|------------|
| 1 | Ø105*104 | Ø95-98 |
| 2 | Ø105*122 | Ø95-98 |
| 3 | Ø105*146 | Ø95-98 |

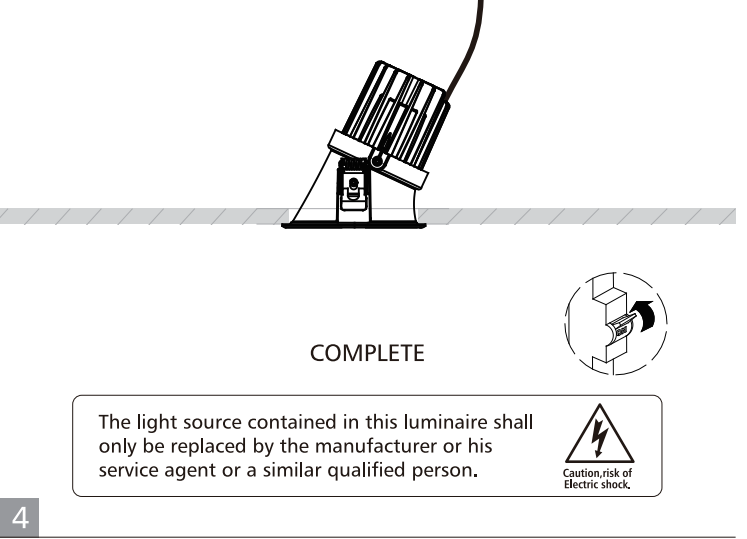


L  Switched
N  Neutral

Connect power supply


If the external flexible cable or cord of this luminaire is damaged, it shall be exclusively replaced by the manufacturer or his service agent or a similar qualified person in order to avoid a hazard.





COMPLETE

The light source contained in this luminaire shall only be replaced by the manufacturer or his service agent or a similar qualified person.


Caution, risk of Electric shock.