

# IBSP104S Series Square Adjustable LED Downlight | IP65, Honeycomb Louver Optional

## Key Features

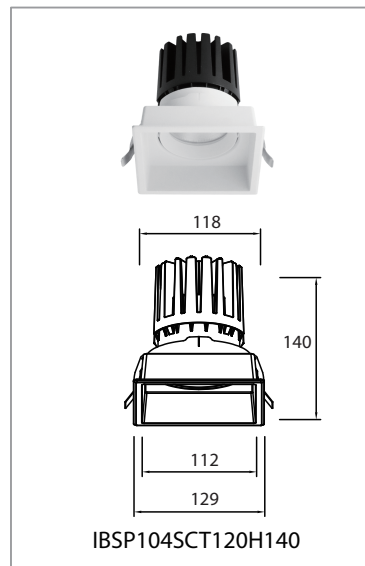
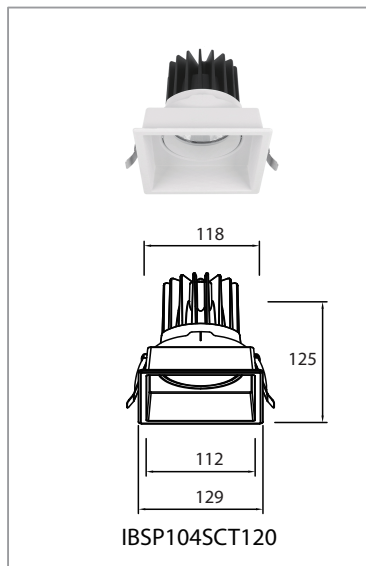
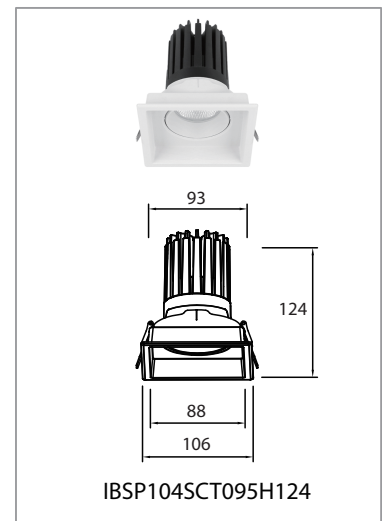
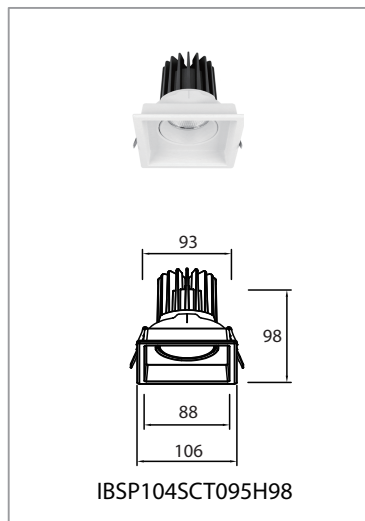
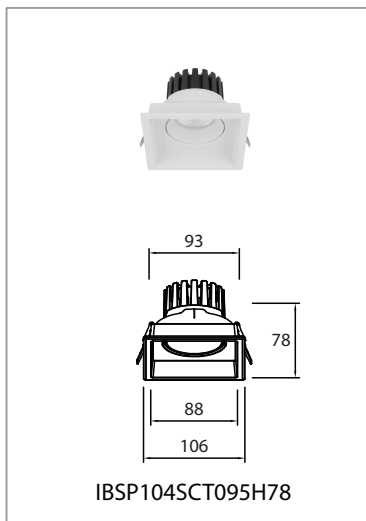
- **Full Directional Flexibility**  
355° horizontal rotation and 30° vertical adjustment enable precise and dynamic light positioning.
- **Deep Anti-Glare Design**  
Deep trim structure effectively controls glare, ensuring superior visual comfort in high-end environments.
- **IP65 Front Protection**  
Sealed front with safety glass diffuser, suitable for humid and demanding interior applications.
- **High Output with Thermal Stability**  
Die-cast aluminum housing with efficient heat dissipation ensures consistent performance and long lifespan.



## Applications

Designed for:

- **Hospitality**: Lobby, Reception, Guestrooms
- **Retail & Brand Spaces**
- **Galleries & Exhibition Areas**
- **Offices & Conference Rooms**
- **Corridors & Circulation Areas**
- **Accent Lighting for Artwork, Displays, and Architectural Features**



## Measurement

Model	Dimension(mm)				Product Weight (Kg)		Package weight (Kg)		Carton Size(cm)	Qty/CTN
	A	B	C	D	N.W/PC	G.W/PC	N.W/CTN	G.W/CTN		
IBSP104SCT095H78	106	78	93	88	/	/	/	/	/	/
IBSP104SCT095H98	106	98	93	88	/	/	/	/	/	/
IBSP104SCT095H124	106	124	93	88	/	/	/	/	/	/
IBSP104SCT120	129	125	118	112	/	/	/	/	/	/
IBSP104SCT120H140	129	140	118	112	/	/	/	/	/	/

## Technical Specifications

Model No.	IBSP104SCT095H78	IBSP104SCT095H98	IBSP104SCT095H124	IBSP104SCT120	IBSP104SCT120H140
Size(mm)	L106*W106*H78	L106*W106*H98	L106*W106*H124	L129*W129*H125	L129*W129*H140
Cutout(mm)	L95*W95-L98*W98	L95*W95-L98*W98	L95*W95-L98*W98	L120*W120-L123*W123	L120*W120-L123*W123
Watt(W)	10W	15W	25W	28W	40W
Luminous Flux (lm) @4000K	1000	1500	2500	2800	4000
Light Source	COB LED				
LED Brand	Bridgelux / Cree (standard) / Hongli (optional)				
SDCM	<5				
CCT(K)	2700K / 3000K / 3500K / 4000K / 5700K / 6500K				
CRI	Ra≥80/90				
Beam Angle (°)	15°/24°/38°/45°/60°				
UGR	<19				
LED Driver	Lifud / BOKE / Tridonic				
Rated Input Voltage(V)	AC200-240V 50/60Hz				
Power Factor	>0.9				
Efficiency	≥82%	≥82%	≥87%	≥87%	≥87%
Rated Input Current	≤0.08A	≤0.08A	≤0.14A	≤0.24A	≤0.24A
Full load output voltage	DC 30-42V	DC 30-40V	DC 28-42V	DC 24-42V	DC 24-42V
Rated output current	250mA	350mA	600mA	700mA	950mA
Dimming Option	Non-dimmable / 1-10V / Triac / DALI dimmable / Casambi				
Power tolerance	±5%				
Current output tolerance	±5%				
Protection Class	Class II				
Short circuit protection Over voltage protection Over temperature protection	PASS				
THD	<20%@230V				
Surge	L-N:2KV				
Withstand voltage	I/P-O/P:3.75KV AC				
Finishing color	Black / White				
Material	Aluminium				
IP Rating	IP20; IP65 on the visible part of the product once installed				
Lifetime (hr)	50,000				
Operating Temp.(°C)	-20°C~45°C				
Storage Temp.(°C)	-20°C~65°C				

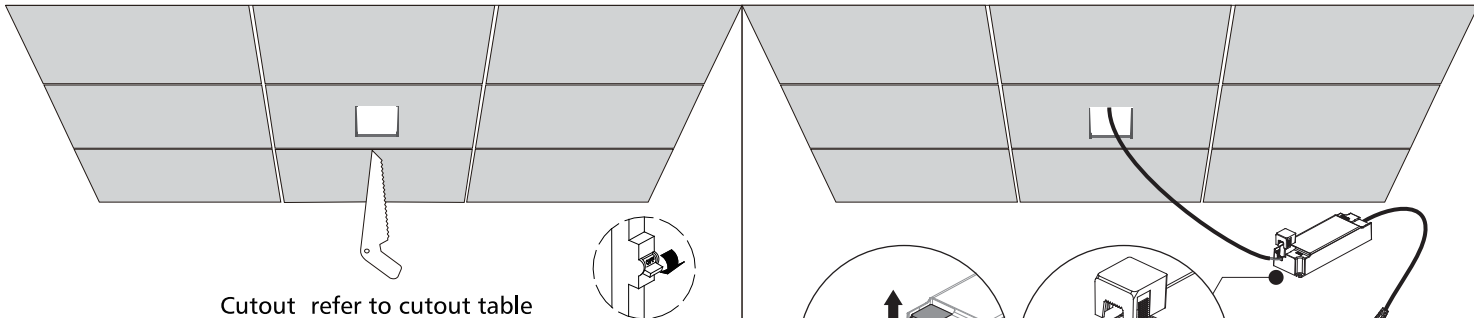
# Installation Procedure

## WARNING

1. Switch off before installation.
2. Switch on only after complete installation and examination of the circuit.
3. Professional electrician for installation and maintenance only.



Turn Off power supply before starting any installation. Read instructions & check you have all the tools & accessories to complete the installation correctly.



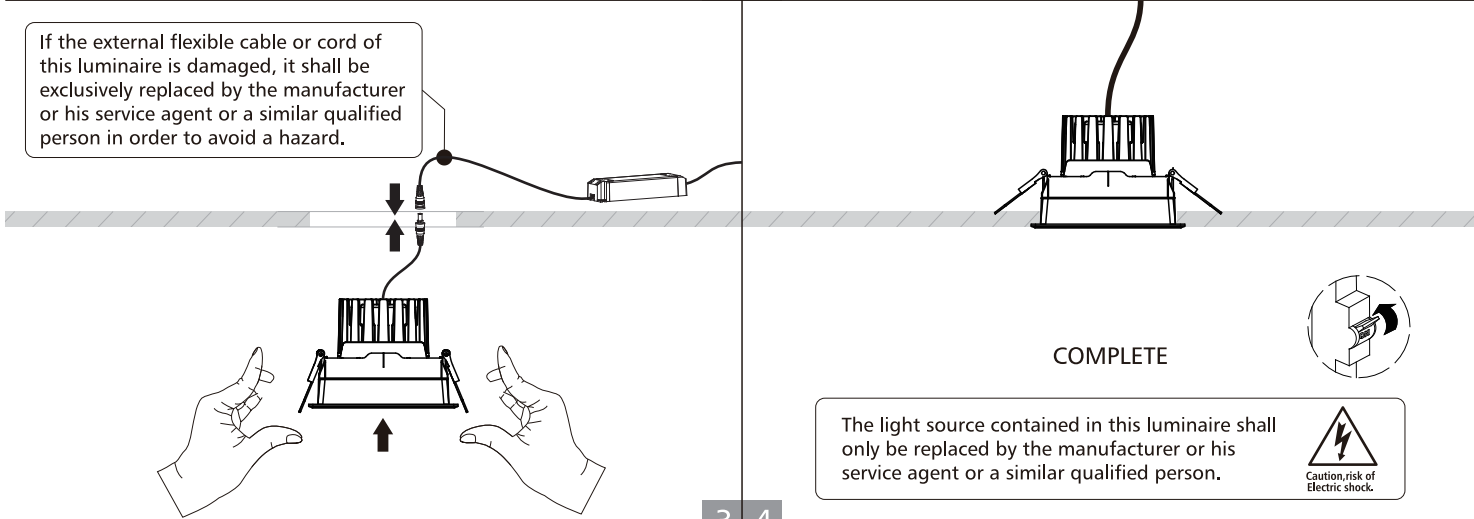
Cutout refer to cutout table

Item	Product Size (mm)	Cutout(mm)
1	L106*W106*H78	L95*W95-L98*W98
2	L106*W106*H98	L95*W95-L98*W98
3	L106*W106*H124	L95*W95-L98*W98
4	L129*W129*H125	L120*W120-L123*W123
5	L129*W129*H140	L120*W120-L123*W123

1 2

Connect power supply

If the external flexible cable or cord of this luminaire is damaged, it shall be exclusively replaced by the manufacturer or his service agent or a similar qualified person in order to avoid a hazard.



3 4

COMPLETE

The light source contained in this luminaire shall only be replaced by the manufacturer or his service agent or a similar qualified person.

