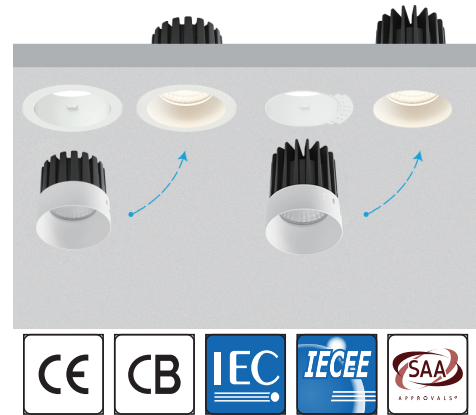


# IBSP156 Series Module Design LED Downlight | IP65 , Fixed Honeycomb Louver Optional

## Key Features

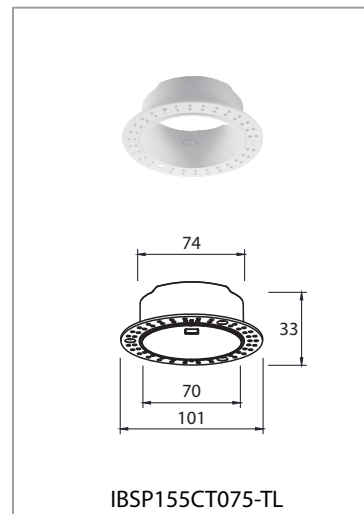
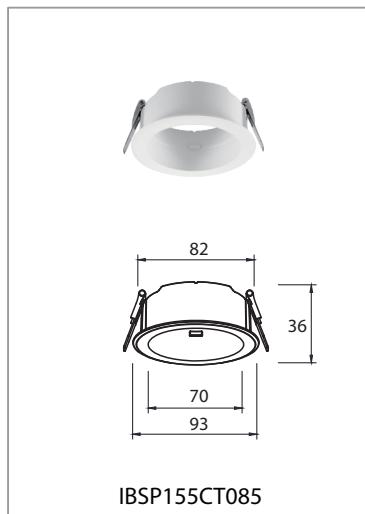
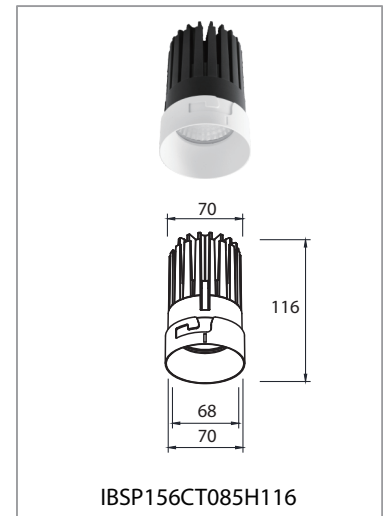
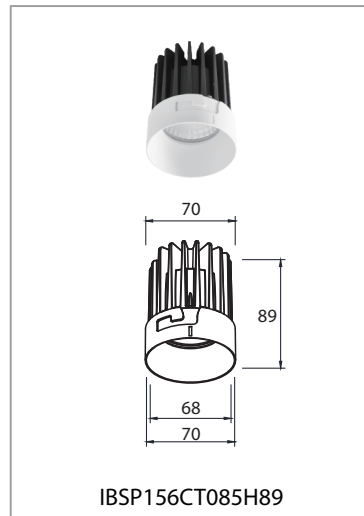
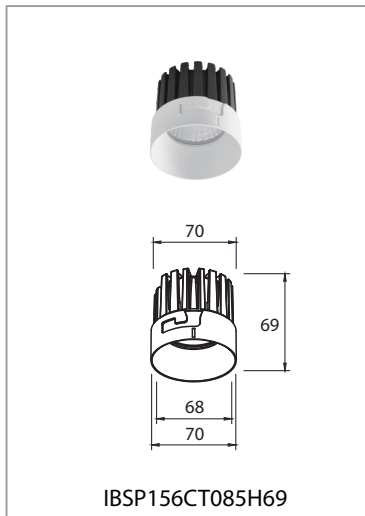
- IP65 Rated for Demanding Environments**  
 Protected against dust and water ingress, suitable for humid areas such as bathrooms and spa environments.
- Modular Optical System**  
 Interchangeable lenses, reflectors, and optional honeycomb louvre enable precise control of light distribution.
- Wide Beam Flexibility**  
 Multiple beam angles (15° / 24° / 38° / 45° / 60°) support both accent and general lighting applications.
- Superior Visual Comfort**  
 Deep-set light source combined with anti-glare accessories ensures low glare performance and comfortable illumination.
- Clean Architectural Integration**  
 Available in trim and trimless versions, allowing seamless integration into different ceiling designs.



## Applications

Designed for:

- Hospitality :** Guestrooms, bathrooms, and spa areas requiring both moisture protection and high visual comfort.
- High-End Residential :** Bathrooms, kitchens, and living areas where durability meets refined lighting quality.
- Commercial & Office :** Corridors and public areas needing reliable, low-maintenance lighting solutions.
- Retail :** Flexible beam options allow both accent highlighting and ambient lighting within the same system.



## Measurement

Model	Dimension(mm)				Product Weight (Kg)		Package weight (Kg)		Carton Size(cm)	Qty/CTN
	A	B	C	D	N.W/PC	G.W/PC	N.W/CTN	G.W/CTN		
IBSP156CT085H69	70	69	70	68	/	/	/	/	/	/
IBSP156CT085H89	70	89	70	68	/	/	/	/	/	/
IBSP156CT085H116	70	116	70	68	/	/	/	/	/	/
IBSP155CT085	93	36	82	70	/	/	/	/	/	/
IBSP155CT075-TL	101	33	74	70	/	/	/	/	/	/

## Technical Specifications

Model No.	IBSP156CT085H69	IBSP156CT085H89	IBSP156CT085H116	
Size(mm)	Ø70*69	Ø70*89	Ø70*116	
Cutout(mm)	-	-	-	
Watt(W)	10W	15W	25W	
Optical	Luminous Flux (lm) @4000K	950	1400	2400
	Light Source	COB LED		
	LED Brand	Bridgelux / Cree (standard) / Hongli (optional)		
	SDCM	<5		
	CCT(K)	2700K / 3000K / 3500K / 4000K / 5700K / 6500K		
	CRI	Ra≥80/90		
	Beam Angle (°)	15° /24° / 38° /45° / 60°		
	UGR	<16		
Electrical	LED Driver	Lifud / BOKE / Tridonic		
	Rated Input Voltage(V)	AC200-240V 50/60Hz		
	Power Factor	>0.9		
	Efficiency	≥82%	≥82%	≥87%
	Rated Input Current	≤0.08A	≤0.08A	≤0.14A
	Full load output voltage	DC 30-42V	DC 30-40V	DC 28-42V
	Rated output current	250mA	350mA	600mA
	Dimming Option	Non-dimmable / 1-10V / Triac / DALI dimmable / Casambi		
	Power tolerance	±5%		
	Current output tolerance	±5%		
	Protection Class	Class II		
	Short circuit protection Over voltage protection Over temperature protection	PASS		
	THD	<20%@230V		
Surge	L-N:2KV			
Withstand voltage	I/P-O/P:3.75KV AC			
Mechanical	Finishing color	Black / White		
	Material	Aluminium		
	IP Rating	IP20; IP65 on the visible part of the product once installed		
Environmental	Lifetime (hr)	50,000		
	Operating Temp.(°C)	-20°C~45°C		
	Storage Temp.(°C)	-20°C~65°C		

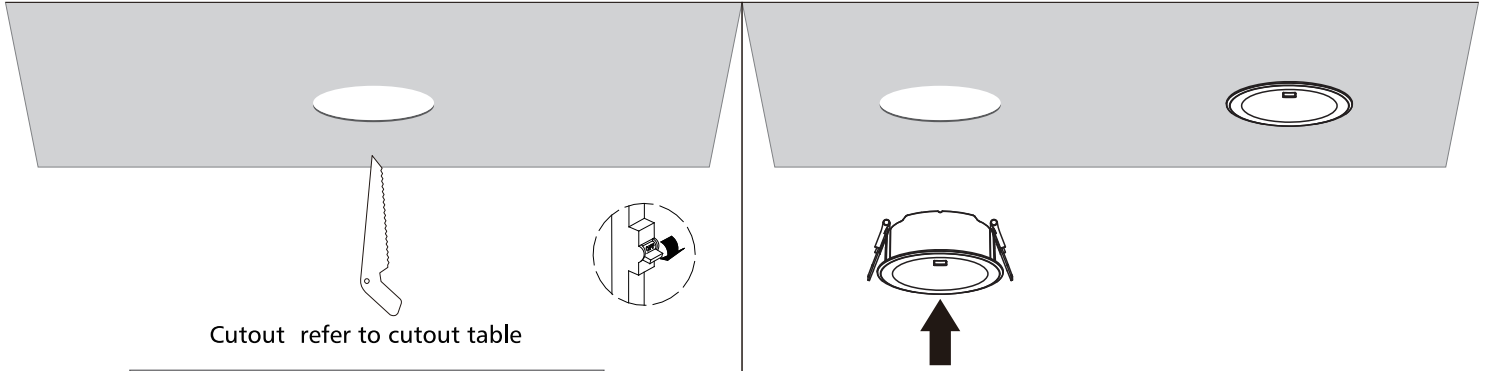
# Installation Procedure

## WARNING

1. Switch off before installation.
2. Switch on only after complete installation and examination of the circuit.
3. Professional electrician for installation and maintenance only.



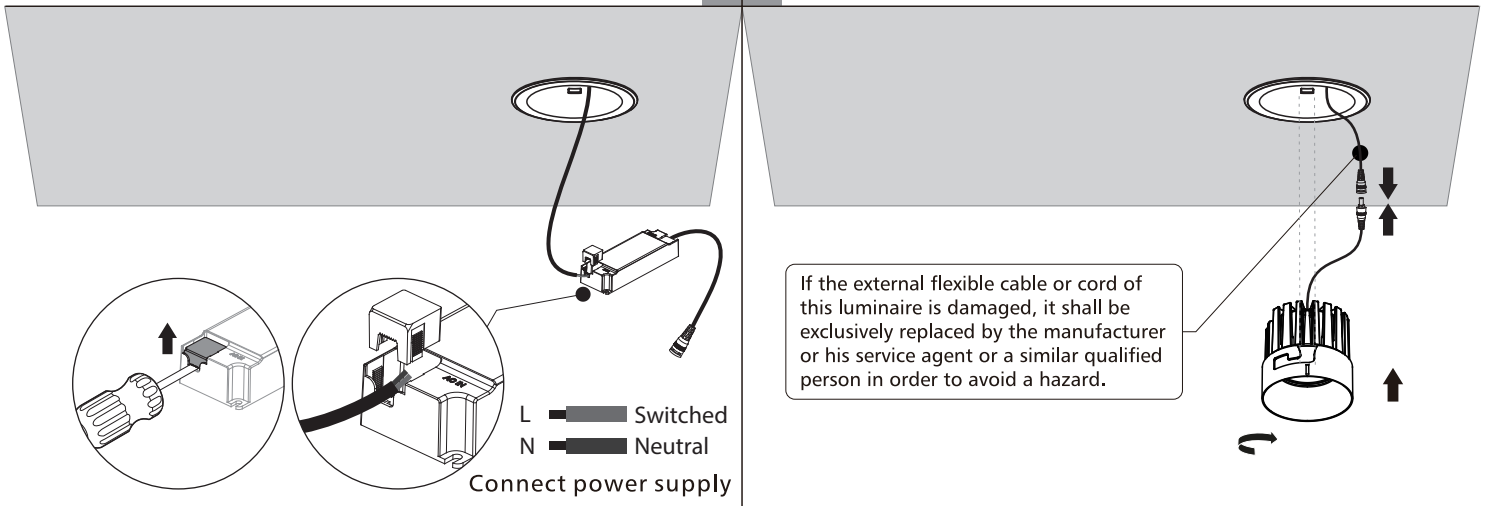
Turn Off power supply before starting any installation. Read instructions & check you have all the tools & accessories to complete the installation correctly.



Cutout refer to cutout table

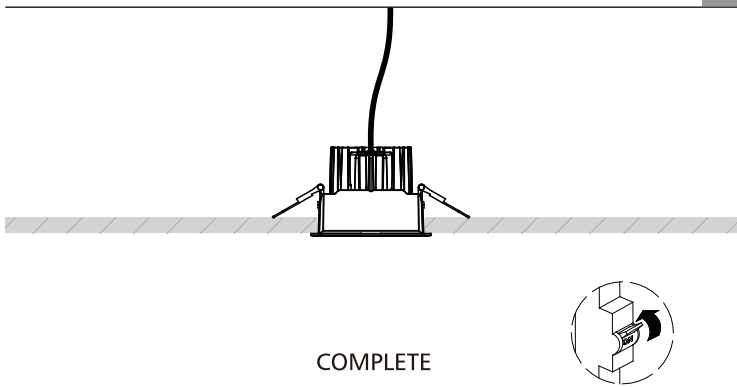
Item	Product Size (mm)	Cutout(mm)
1	Ø93*36	Ø85

1 2



Connect power supply

3 4



COMPLETE

The light source contained in this luminaire shall only be replaced by the manufacturer or his service agent or a similar qualified person.



5

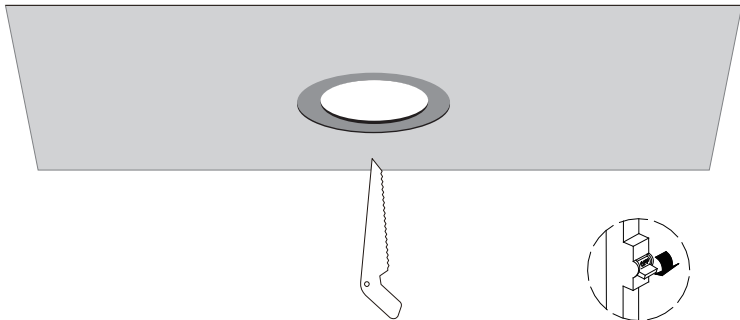
# Installation Procedure

## WARNING

1. Switch off before installation.
2. Switch on only after complete installation and examination of the circuit.
3. Professional electrician for installation and maintenance only.

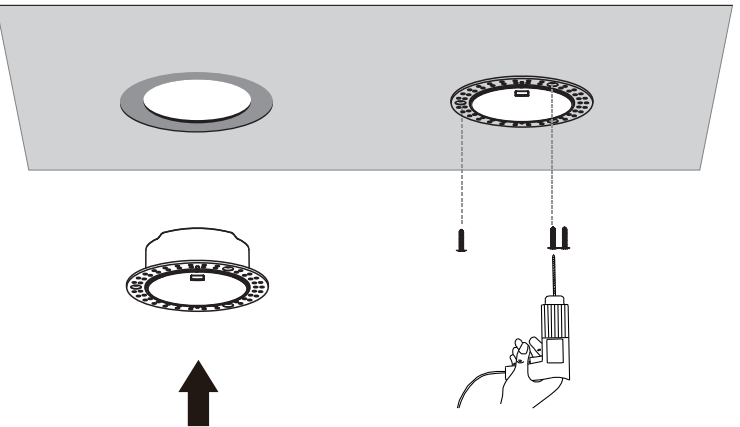


Turn Off power supply before starting any installation. Read instructions & check you have all the tools & accessories to complete the installation correctly.

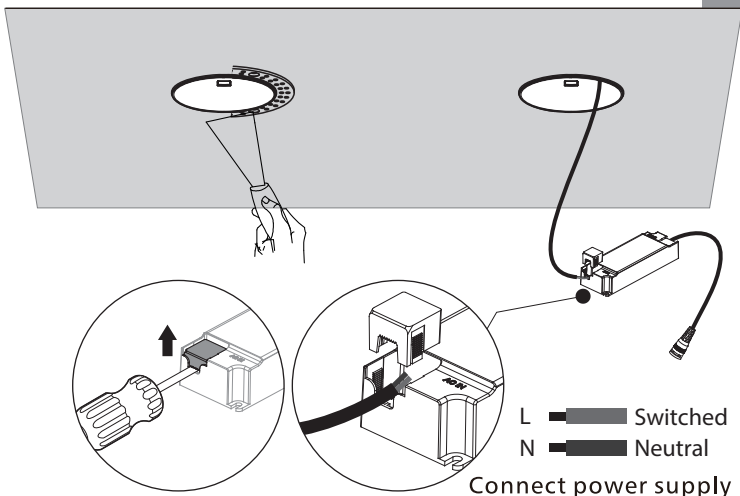


Cutout refer to cutout table

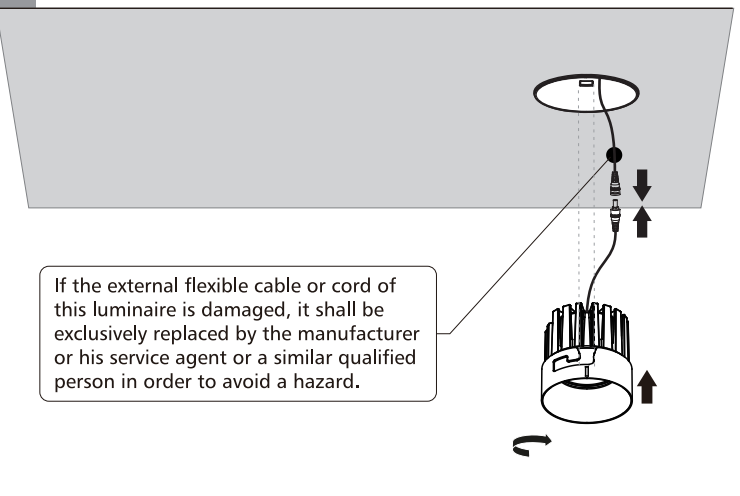
Item	Product Size (mm)	Cutout(mm)
1	Ø101*33	Ø75



1
2

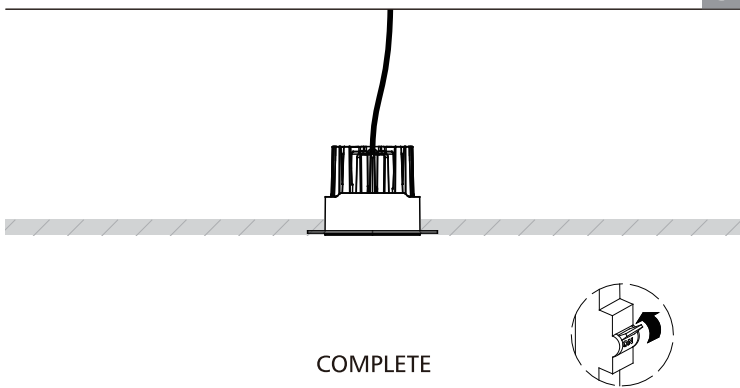


Connect power supply

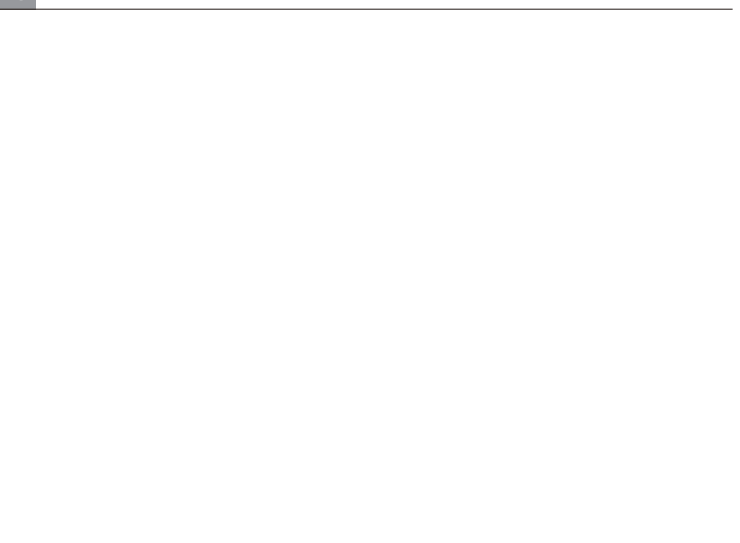


If the external flexible cable or cord of this luminaire is damaged, it shall be exclusively replaced by the manufacturer or his service agent or a similar qualified person in order to avoid a hazard.

3
4



COMPLETE



The light source contained in this luminaire shall only be replaced by the manufacturer or his service agent or a similar qualified person.

5