

# IBSP150 Series Deep Trim Recessed LED Downlight | IP65 with Glass Diffuser Honeycomb Louver Optional

## Key Features

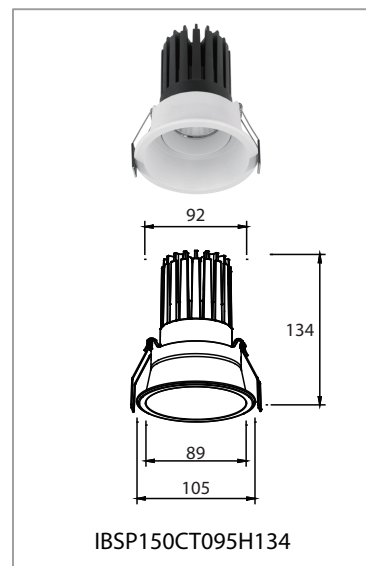
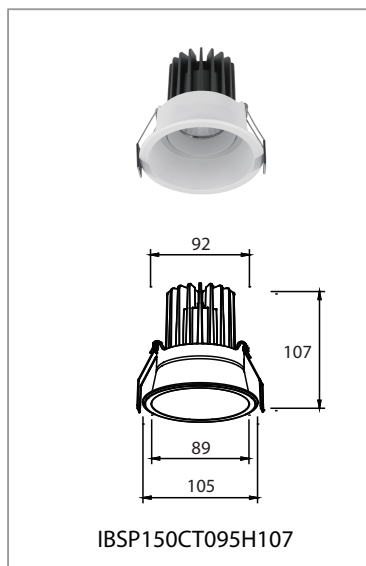
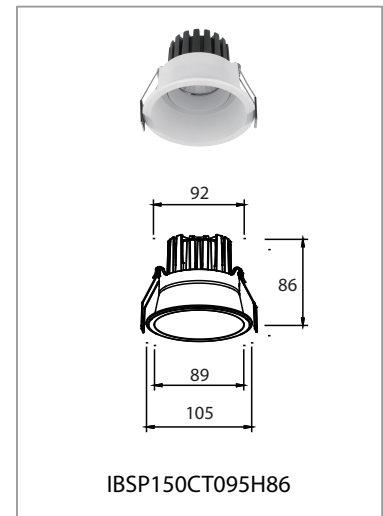
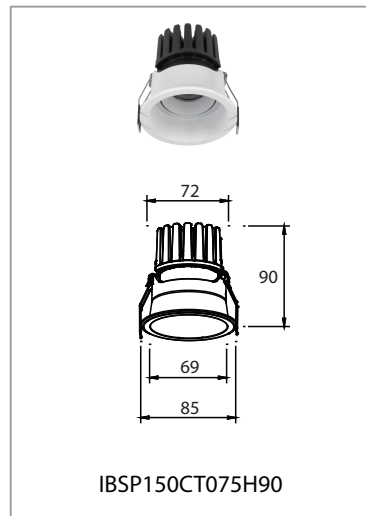
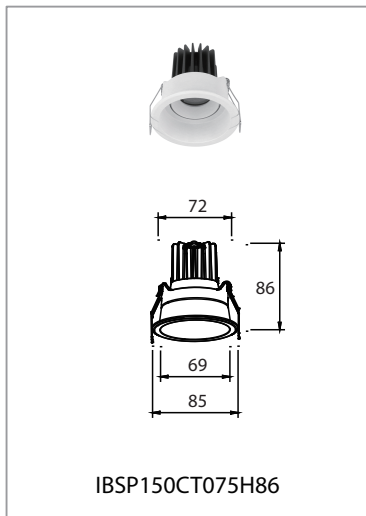
- **Adjustable Deep Trim Design**  
Vertical adjustment up to  $\pm 25^\circ$  combined with deep recessed structure enables precise aiming with excellent glare control.
- **Superior Visual Comfort**  
Deep-set light source minimizes glare, delivering soft and comfortable illumination for high-end interiors.
- **IP65 Front Protection**  
Equipped with safety glass diffuser, suitable for humid environments and demanding applications.
- **Reliable Performance & Build Quality**  
Die-cast aluminum housing with efficient heat dissipation ensures long-term stability and durability.



## Applications

Designed for:

- **Hospitality**: Lobby, Reception, Guestrooms
- **Offices & Conference Rooms**
- **Corridors & Circulation Areas**
- **Restaurants & Dining Areas**
- **Retail & Commercial Spaces**
- **Accent Lighting for Architectural Details and Displays**



## Measurement

Model	Dimension(mm)				Product Weight (Kg)		Package weight (Kg)		Carton Size(cm)	Qty/CTN
	A	B	C	D	N.W/PC	G.W/PC	N.W/CTN	G.W/CTN		
IBSP150CT075H86	85	86	72	69	/	/	/	/	/	/
IBSP150CT075H90	85	90	72	69	/	/	/	/	/	/
IBSP150CT095H86	105	86	92	89	/	/	/	/	/	/
IBSP150CT095H107	105	107	92	89	/	/	/	/	/	/
IBSP150CT095H134	105	134	92	89	/	/	/	/	/	/

## Technical Specifications

Model No.	IBSP150CT075H86	IBSP150CT075H90	IBSP150CT095H86	IBSP150CT095H107	IBSP150CT095H134
Size(mm)	Ø85*86	Ø85*90	Ø105*86	Ø105*107	Ø105*134
Cutout(mm)	Ø75-78	Ø75-78	Ø95-98	Ø95-98	Ø95-98
Watt(W)	8W	15W	10W	15W	25W
Luminous Flux (lm) @4000K	700	1300	1000	1500	2500
Light Source	COB LED				
LED Brand	Bridgelux / Cree (standard) / Hongli (optional)				
SDCM	<5				
CCT(K)	2700K / 3000K / 3500K / 4000K / 5700K / 6500K				
CRI	Ra≥80/90				
Beam Angle (°)	15°/24°/36°/50°		15°/24°/38°/45°/60°		
UGR	<16				
LED Driver	Lifud / BOKE / Tridonic				
Rated Input Voltage(V)	AC200-240V 50/60Hz				
Power Factor	>0.9				
Efficiency	≥82%	≥82%	≥82%	≥82%	≥87%
Rated Input Current	≤0.07A	≤0.08A	≤0.08A	≤0.08A	≤0.14A
Full load output voltage	DC 30-40V	DC 30-40V	DC 30-42V	DC 30-40V	DC 28-42V
Rated output current	200mA	350mA	250mA	350mA	600mA
Dimming Option	Non-dimmable / 1-10V / Triac / DALI dimmable / Casambi				
Power tolerance	±5%				
Current output tolerance	±5%				
Protection Class	Class II				
Short circuit protection Over voltage protection Over temperature protection	PASS				
THD	<20%@230V				
Surge	L-N:2KV				
Withstand voltage	I/P-O/P:3.75KV AC				
Finishing color	Black / White				
Material	Aluminium				
IP Rating	IP20; IP65 on the visible part of the product once installed				
Lifetime (hr)	50,000				
Operating Temp.(°C)	-20°C~45°C				
Storage Temp.(°C)	-20°C~65°C				

# Installation Procedure

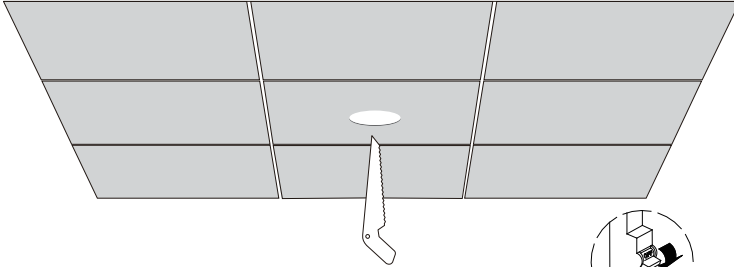
## WARNING

1. Switch off before installation.
2. Switch on only after complete installation and examination of the circuit.
3. Professional electrician for installation and maintenance only.



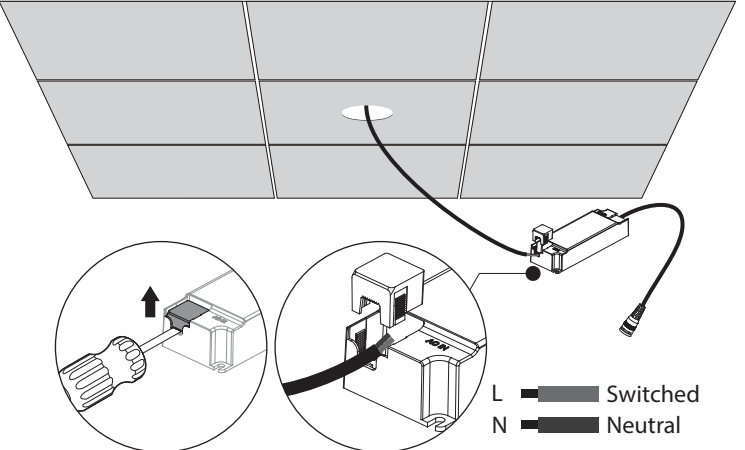
**Turn Off  
Power Supply**

Turn Off power supply before starting any installation. Read instructions & check you have all the tools & accessories to complete the installation correctly.





Cutout refer to cutout table

Item	Product Size (mm)	Cutout(mm)
1	Ø85*86	Ø75-78
2	Ø85*90	Ø75-78
3	Ø105*86	Ø95-98
4	Ø105*107	Ø95-98
5	Ø105*134	Ø95-98

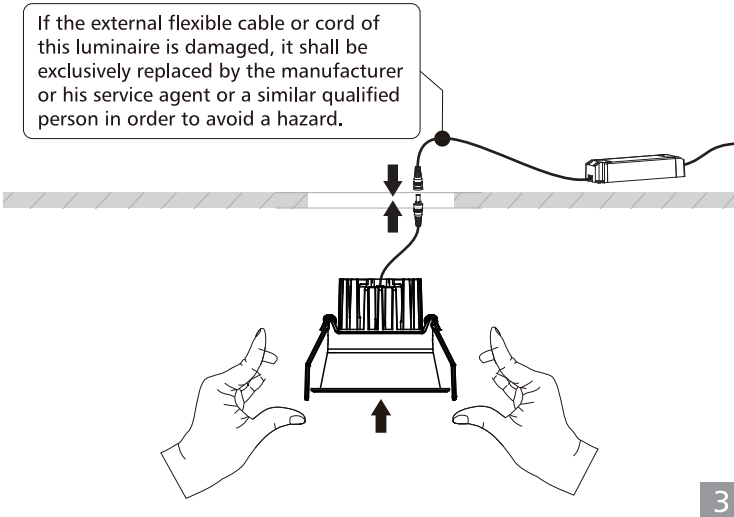


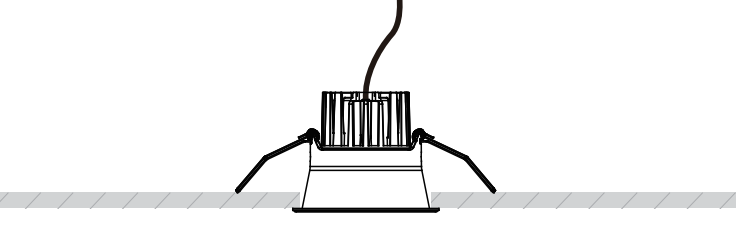
Connect power supply

L  Switched  
N  Neutral

1 2


If the external flexible cable or cord of this luminaire is damaged, it shall be exclusively replaced by the manufacturer or his service agent or a similar qualified person in order to avoid a hazard.





COMPLETE

The light source contained in this luminaire shall only be replaced by the manufacturer or his service agent or a similar qualified person.



Caution, risk of Electric shock.

3 4