

# IBSP110 Series Deep Curve & Narrow Trim Recessed LED Downlight | IP65, Safety Glass

## Key Features

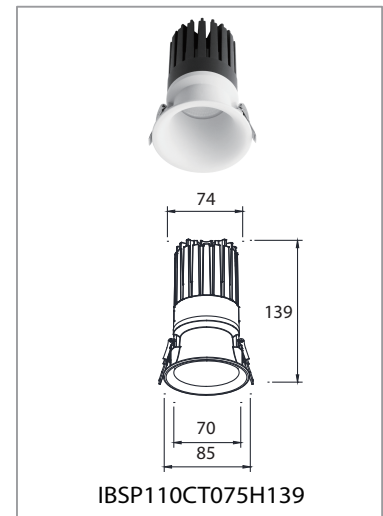
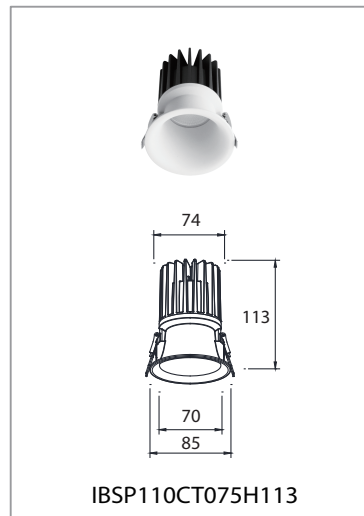
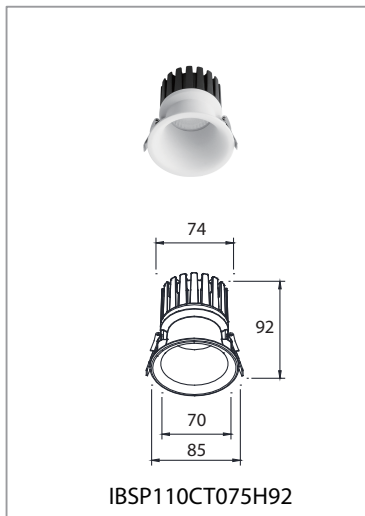
- **Deep Curve Recessed Design (UGR < 13)**  
Curved inner structure combined with deep-set light source ensures ultra-low glare and exceptional visual comfort for premium environments.
- **Optimized Beam Angles (15°–45°)**  
Carefully selected beam options provide precise accent lighting and controlled illumination for refined spatial design.
- **IP65 Front Protection with Safety Glass**  
Designed for durability in humid and semi-outdoor environments, meeting stringent project requirements.
- **Compact Architectural Integration**  
Clean trim design with smooth curvature enhances ceiling aesthetics while maintaining a subtle visual presence.
- **High-Performance COB LED**  
Delivers stable, uniform light output with reliable color consistency for long-term use.



## Applications

Designed for:

- **Hospitality** : Hotels, Restaurants, Guestrooms
- **Office & Corporate Spaces** : Meeting Rooms, Offices
- **Wellness & SPA** : Bathrooms, Spa Areas
- **Commercial & Retail** : Boutiques, Showrooms
- **Public Areas** : Corridors, Lobbies, Reception Areas



## Measurement

Model	Dimension(mm)				Product Weight (Kg)		Package weight (Kg)		Carton Size(cm)	Qty/CTN
	A	B	C	D	N.W/PC	G.W/PC	N.W/CTN	G.W/CTN		
IBSP110CT075H92	85	92	74	70	/	/	/	/	/	/
IBSP110CT075H113	85	113	74	70	/	/	/	/	/	/
IBSP110CT075H139	85	139	74	70	/	/	/	/	/	/

## Technical Specifications

Model No.	IBSP110CT075H92	IBSP110CT075H113	IBSP110CT075H139
Size(mm)	Ø85*92	Ø85*113	Ø85*139
Cutout(mm)	Ø75-78	Ø75-78	Ø75-78
Watt(W)	10W	15W	25W
Luminous Flux (lm) @4000K	800	1300	2100
Light Source	COB LED		
LED Brand	Bridgelux / Cree (standard) / Hongli (optional)		
SDCM	<5		
CCT(K)	2700K / 3000K / 3500K / 4000K / 5700K / 6500K		
CRI	Ra≥80/90		
Beam Angle (°)	15° /24° / 38° /45°		
UGR	<13		
LED Driver	Lifud / BOKE / Tridonic		
Rated Input Voltage(V)	AC200-240V 50/60Hz		
Power Factor	>0.9		
Efficiency	≥82%	≥82%	≥87%
Rated Input Current	≤0.08A	≤0.08A	≤0.14A
Full load output voltage	DC 30-42V	DC 30-40V	DC 28-42V
Rated output current	250mA	350mA	600mA
Dimming Option	Non-dimmable / 1-10V / Triac / DALI dimmable / Casambi		
Power tolerance	±5%		
Current output tolerance	±5%		
Protection Class	Class II		
Short circuit protection Over voltage protection Over temperature protection	PASS		
THD	<20%@230V		
Surge	L-N:2KV		
Withstand voltage	I/P-O/P:3.75KV AC		
Finishing color	Black / White		
Material	Aluminium		
IP Rating	IP20; IP65 on the visible part of the product once installed		
Lifetime (hr)	50,000		
Operating Temp.(°C)	-20°C~45°C		
Storage Temp.(°C)	-20°C~65°C		

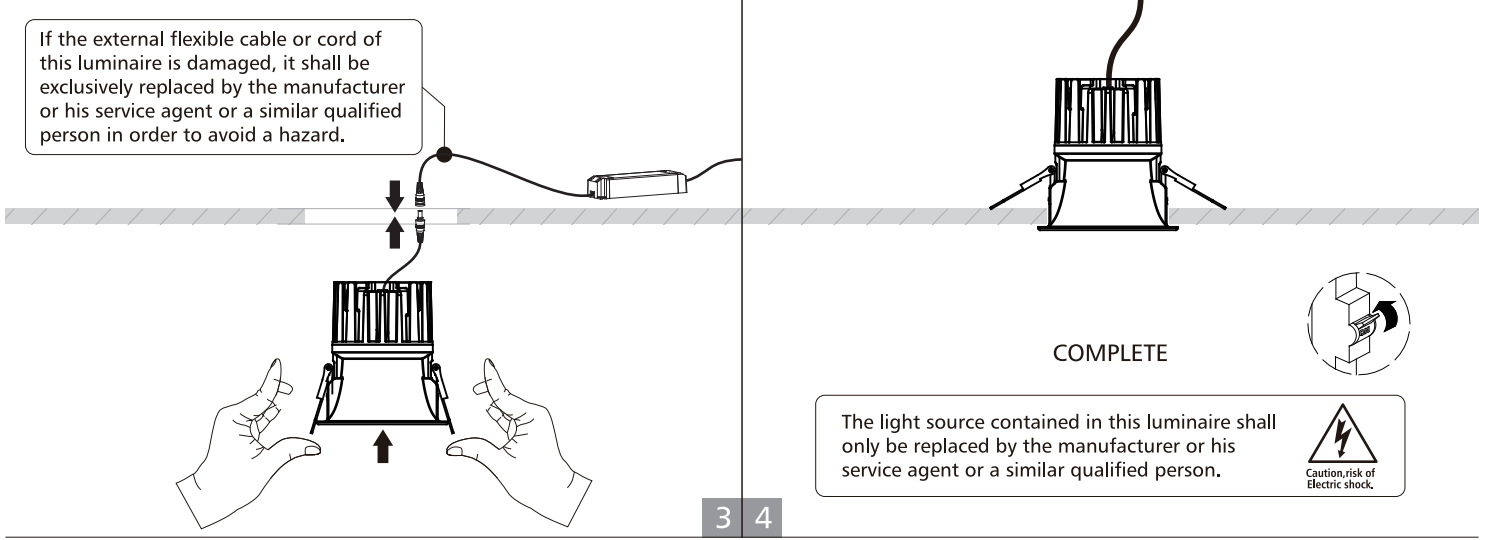
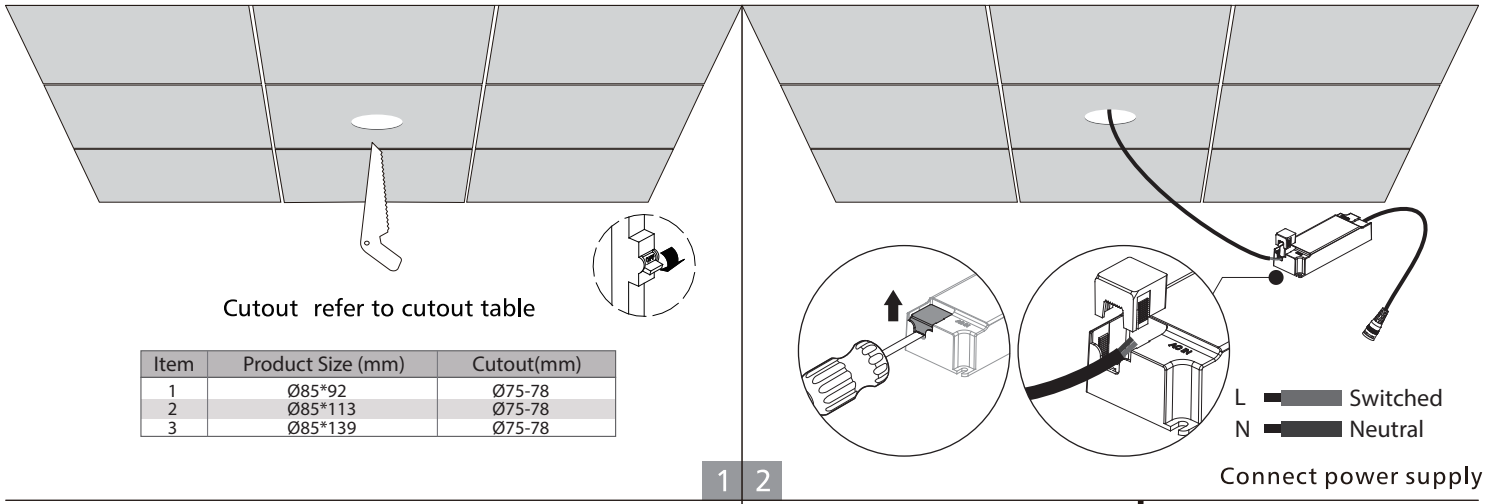
# Installation Procedure

## WARNING

1. Switch off before installation.
2. Switch on only after complete installation and examination of the circuit.
3. Professional electrician for installation and maintenance only.



- Turn Off power supply before starting any installation. Read instructions & check you have all the tools & accessories to complete the installation correctly.



If the external flexible cable or cord of this luminaire is damaged, it shall be exclusively replaced by the manufacturer or his service agent or a similar qualified person in order to avoid a hazard.

L  Switched  
 N  Neutral

COMPLETE

The light source contained in this luminaire shall only be replaced by the manufacturer or his service agent or a similar qualified person.

