

Mini IBSP135S 133S Series Deep trim Recessed LED Downlight | Reflector Changeable



Key Features

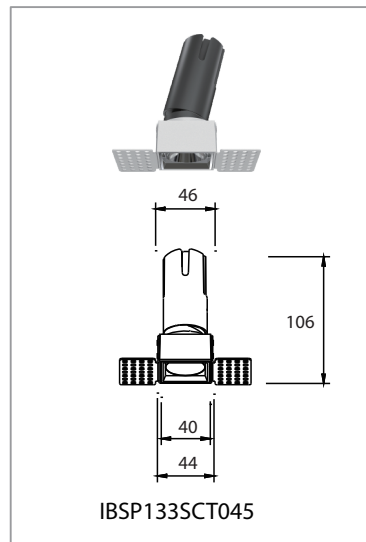
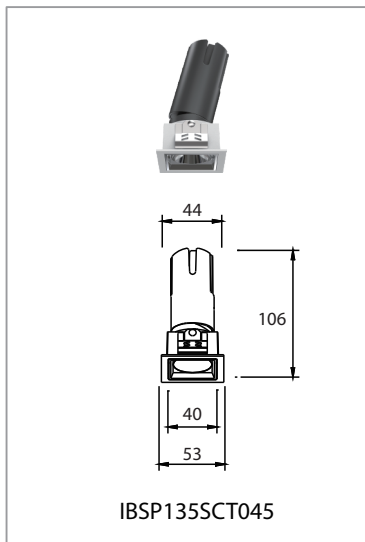
- Deep Recessed Design for Advanced Glare Control**
 The recessed light source minimizes direct glare, delivering superior visual comfort for high-end architectural applications.
- Interchangeable Reflector System**
 Reflectors can be easily replaced, allowing customized light effects and greater design flexibility for different spaces.
- Miniature Design for Subtle Integration**
 Compact form factor with small cutout (Ø35-47mm) enables discreet installation, ideal for refined architectural details.
- Efficient Thermal Structure**
 Die-cast aluminum housing with integrated heatsink ensures stable performance despite compact size.



Applications

Designed for:

- Hospitality** (Hotels, Lobbies, Restaurants, Guestrooms)
- Commercial & Retail** (Boutiques, Showrooms)
- Office & Corporate Spaces** (Meeting Rooms, Offices)
- Public Areas** (Corridors, Reception Areas)



Measurement

Model	Dimension(mm)				Product Weight (Kg)		Package weight (Kg)		Carton Size(cm)	Qty/CTN
	A	B	C	D	N.W/PC	G.W/PC	N.W/CTN	G.W/CTN		
IBSP135SCT045	53	106	44	40	/	/	/	/	/	/
IBSP133SCT045	44	106	46	40	/	/	/	/	/	/

Technical Specifications

Model No.	IBSP135SCT045	IBSP133SCT045
Size(mm)	L53xW53xH106	L44xW44xH106
Cutout(mm)	L45xW45	L49xW45
Watt(W)	8W	8W
Luminous Flux (lm) @4000K	500	500
Light Source	COB LED	
LED Brand	Bridgelux / Cree (standard) / Hongli (optional)	
SDCM	<5	
CCT(K)	2700K / 3000K / 3500K / 4000K / 5700K / 6500K	
CRI	Ra≥80/90	
Beam Angle (°)	15° / 24° / 38° / 55°	
UGR	<13	
LED Driver	Lifud / BOKE / Tridonic	
Rated Input Voltage(V)	AC200-240V 50/60Hz	
Power Factor	>0.9	
Efficiency	≥82%	≥82%
Rated Input Current	≤0.07A	≤0.07A
Full load output voltage	DC 30-40V	DC 30-40V
Rated output current	200mA	200mA
Dimming Option	Non-dimmable / 1-10V / Triac / DALI dimmable / Casambi	
Power tolerance	±5%	
Current output tolerance	±5%	
Protection Class	Class II	
Short circuit protection Over voltage protection Over temperature protection	PASS	
THD	<20%@230V	
Surge	L-N:2KV	
Withstand voltage	I/P-O/P:3.75KV AC	
Finishing color	Black / White	
Material	Aluminium	
IP Rating	IP20	
Lifetime (hr)	50,000	
Operating Temp.(°C)	-20°C~45°C	
Storage Temp.(°C)	-20°C~65°C	

Installation Procedure

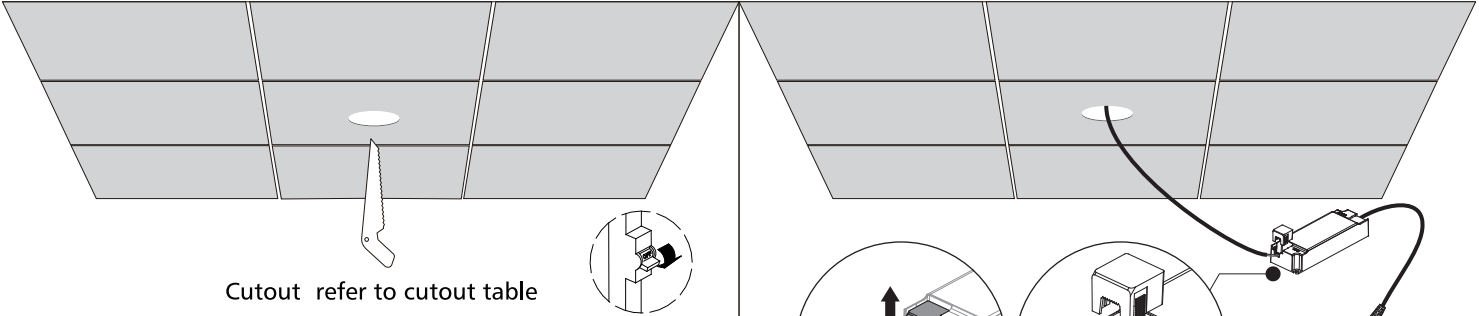
WARNING ⚡

1. Switch off before installation.
2. Switch on only after complete installation and examination of the circuit.
3. Professional electrician for installation and maintenance only.



**Turn Off
Power Supply**

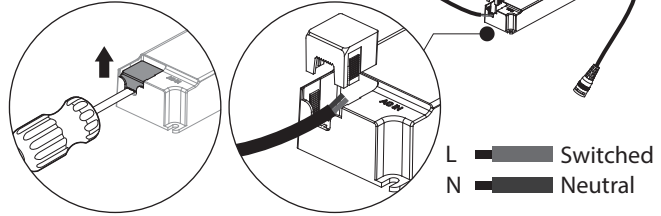
Turn Off power supply before starting any installation. Read instructions & check you have all the tools & accessories to complete the installation correctly.



Cutout refer to cutout table

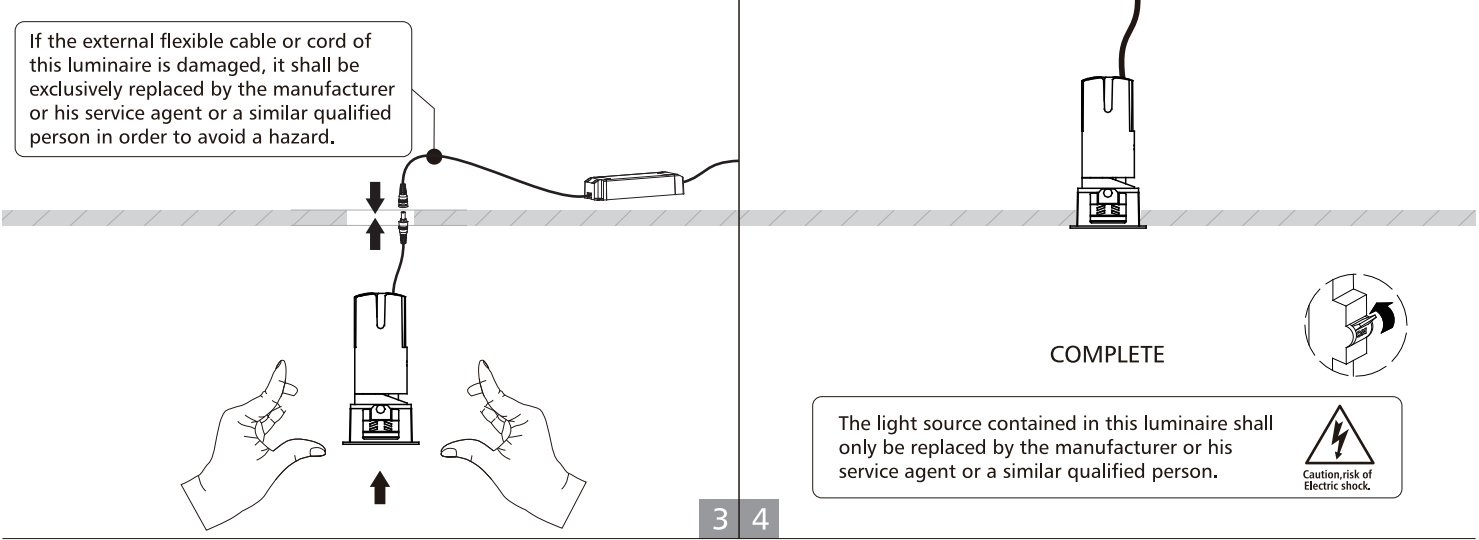
Item	Product Size (mm)	Cutout(mm)
1	L53xW53xH106	L45xW45

1 2



Connect power supply

If the external flexible cable or cord of this luminaire is damaged, it shall be exclusively replaced by the manufacturer or his service agent or a similar qualified person in order to avoid a hazard.



COMPLETE

The light source contained in this luminaire shall only be replaced by the manufacturer or his service agent or a similar qualified person.



3 4

Installation Procedure

WARNING

1. Switch off before installation.
2. Switch on only after complete installation and examination of the circuit.
3. Professional electrician for installation and maintenance only.



**Turn Off
Power Supply**

- Turn Off power supply before starting any installation. Read instructions & check you have all the tools & accessories to complete the installation correctly.

