

# IBDL225 Series Shallow Trim Recessed LED Downlight | Optional CCT Switch

## Key Features

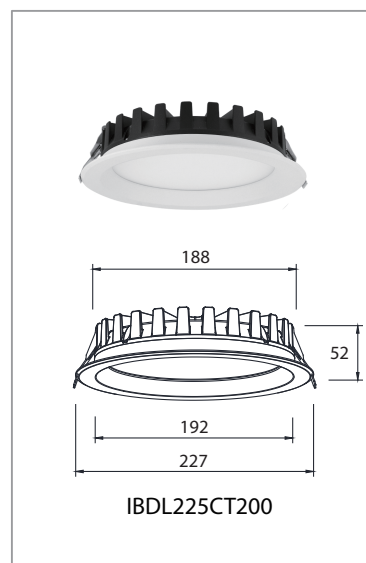
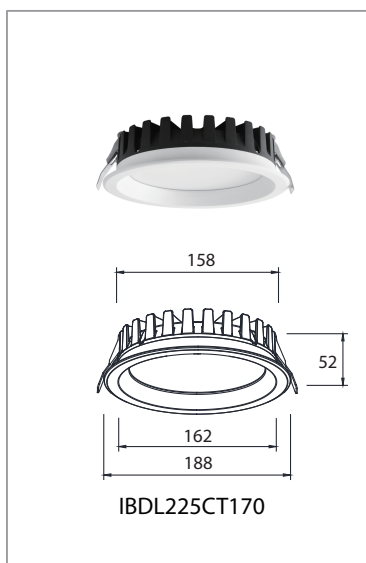
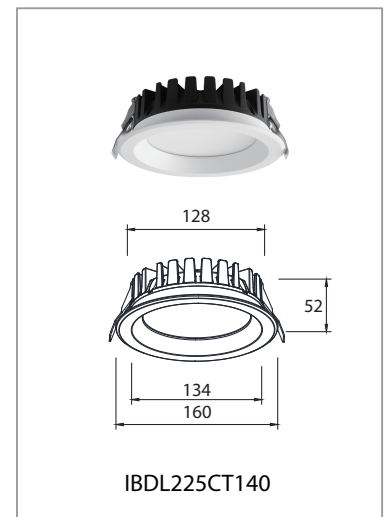
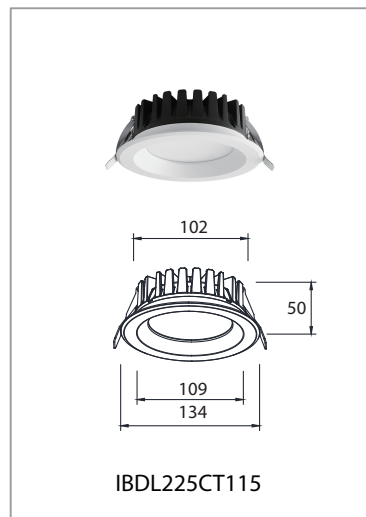
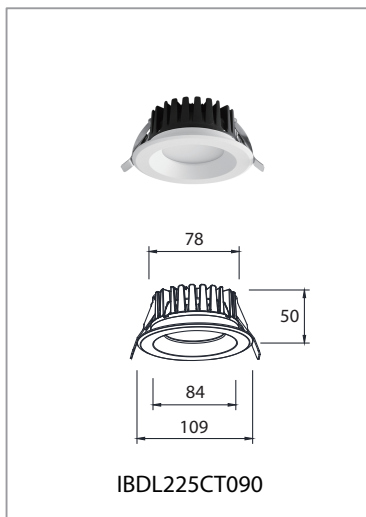
- **Ultra-Wide Beam Coverage**  
100° beam angle, ideal for large-area, uniform general lighting.
- **High Efficiency Output**  
Luminous efficacy over 100 lm/W, balancing energy savings and strong illumination.
- **Flexible CCT Switching**  
Optional CCT switch (2700K–6500K), allowing on-site adjustment for different project needs.
- **Uniform Visual Comfort**  
Equipped with PC diffuser or prismatic diffuser for soft, evenly distributed light.
- **Reliable Thermal Performance**  
Die-cast aluminum housing with integrated heatsink ensures long lifespan and stable operation.
- **Flexible Protection Options**  
IP20 / IP54 (visible part after installation), suitable for various indoor environments.



## Applications

Designed for:

- **Hospitality**: Hotels, restaurants, lounges)
- **Office & Corporate**: Open offices, meeting rooms)
- **Flexible Project Applications**: Ideal for projects requiring on-site CCT adjustment and adaptable lighting solutions.
- **Commercial & Retail**: Shopping malls, supermarkets, open retail areas
- **Public Areas**: Corridors, lobbies, circulation zones



## Measurement

Model	Dimension(mm)				Product Weight (Kg)		Package weight (Kg)		Carton Size(cm)	Qty/CTN
	A	B	C	D	N.W/PC	G.W/PC	N.W/CTN	G.W/CTN		
IBDL225CT090	109	50	78	84	0.27	0.32	9.7	12.3	L500*W380*H290	36
IBDL225CT115	134	50	102	109	0.38	0.43	12.2	14.5	L570*W360*H320	32
IBDL225CT140	160	52	128	134	0.53	0.58	12.7	14.6	L570*W350*H295	24
IBDL225CT170	188	52	158	162	0.66	0.71	11.9	13.5	L590*W232*H425	18
IBDL225CT200	227	52	188	192	0.88	0.93	10.6	11.9	L510*W290*H430	12

## Technical Specifications

Model No.	IBDL225CT090	IBDL225CT115	IBDL225CT140	IBDL225CT170	IBDL225CT200
Size(mm)	Ø109*50	Ø134*50	Ø160*52	Ø188*52	Ø227*52
Cutout(mm)	Ø88-100	Ø115-125	Ø140-150	Ø165-175	Ø195-215
Watt(W)	15W	20W	25W	35W	42W
Luminous Flux (lm) @4000K	1600	2100	2800	4000	5100
Light Source	SMD LED				
LED Brand	Bridgelux / Hongli (optional)				
SDCM	<5				
CCT(K)	2700K / 3000K / 3500K / 4000K / 5700K / 6500K				
CRI	Ra≥80/90				
Beam Angle (°)	100°				
UGR	<25				
LED Driver	Lifud / BOKE / Tridonic				
Rated Input Voltage(V)	AC200-240V 50/60Hz				
Power Factor	>0.9				
Efficiency	≥86%	≥86%	≥87%	≥87%	≥87%
Rated Input Current	≤0.11A	≤0.14A	≤0.24A	≤0.24A	≤0.24A
Full load output voltage	DC 28-42V	DC 28-42V	DC30-42V	DC 30-42V	DC 30-40V
Rated output current	350mA	500mA	600mA	900mA	1000mA
Dimming Option	Non-dimmable / 1-10V / Triac / DALI dimmable / Casambi				
Power tolerance	±5%				
Current output tolerance	±5%				
Protection Class	Class II				
Short circuit protection Over voltage protection Over temperature protection	PASS				
THD	<20%@230V				
Surge	L-N:2KV				
Withstand voltage	I/P-O/P:3.75KV AC				
Finishing color	Black / White				
Material	Aluminium				
IP Rating	IP20; IP54 on the visible part of the product once installed				
Lifetime (hr)	50,000				
Operating Temp.(°C)	-20°C~45°C				
Storage Temp.(°C)	-20°C~65°C				

# Installation Procedure

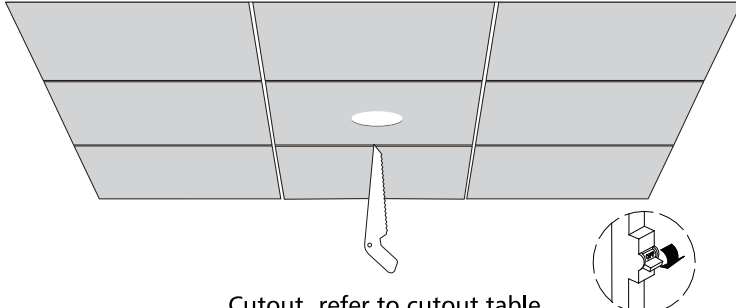
## WARNING

1. Switch off before installation.
2. Switch on only after complete installation and examination of the circuit.
3. Professional electrician for installation and maintenance only.



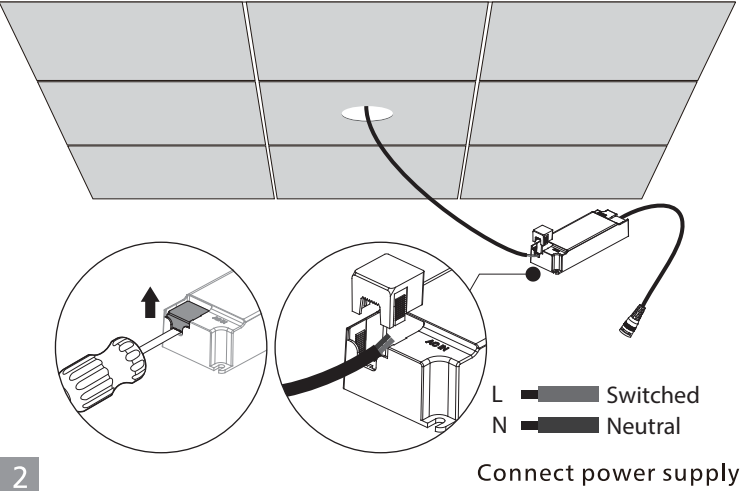
**Turn Off  
Power Supply**



- Turn Off power supply before starting any installation. Read instructions & check you have all the tools & accessories to complete the installation correctly.



Cutout refer to cutout table

Item	Product Size (mm)	Cutout(mm)
1	Ø109*50	Ø88-100
2	Ø134*50	Ø115-125
3	Ø160*52	Ø140-150
4	Ø188*52	Ø165-175
5	Ø227*52	Ø195-215

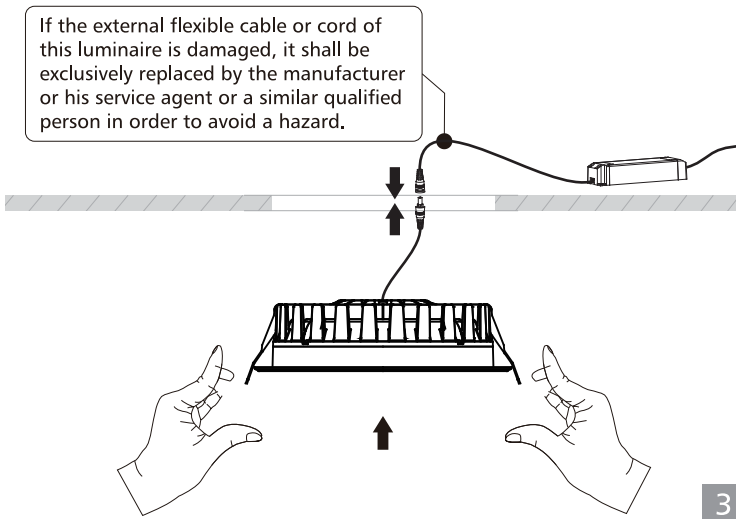


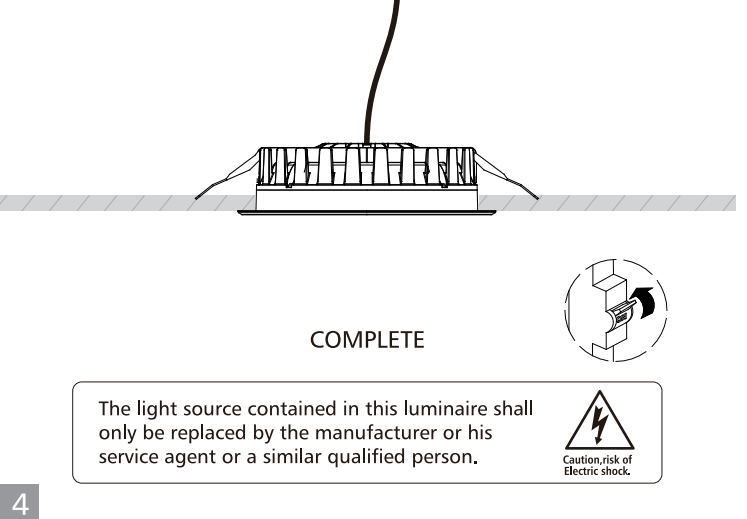
L  Switched  
N  Neutral

**Connect power supply**

1 2


If the external flexible cable or cord of this luminaire is damaged, it shall be exclusively replaced by the manufacturer or his service agent or a similar qualified person in order to avoid a hazard.





COMPLETE

The light source contained in this luminaire shall only be replaced by the manufacturer or his service agent or a similar qualified person.

  
Caution, risk of Electric shock.

3 4