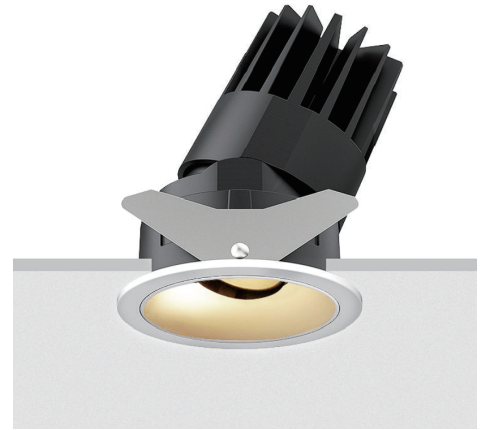


# IBSP135 Series LED Downlight-IP65 | Honeycomb Louver Optional

## Key Features

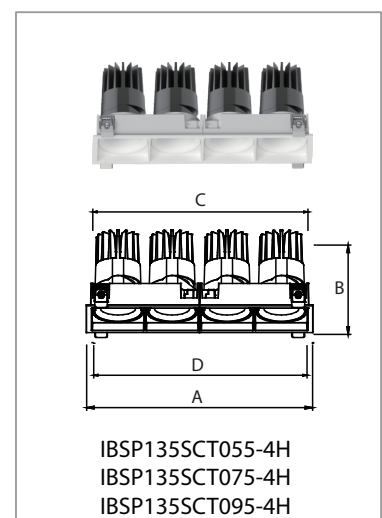
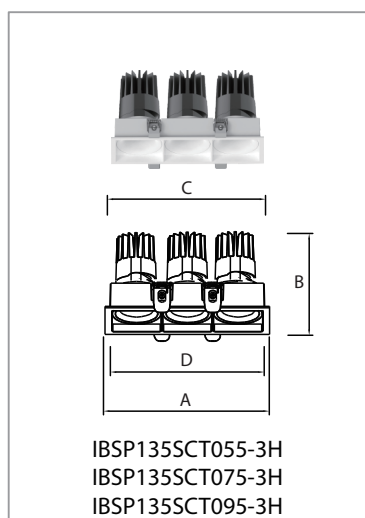
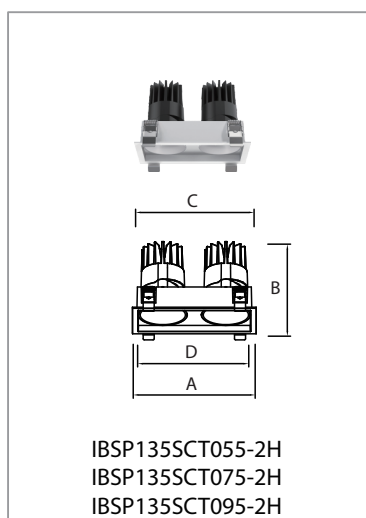
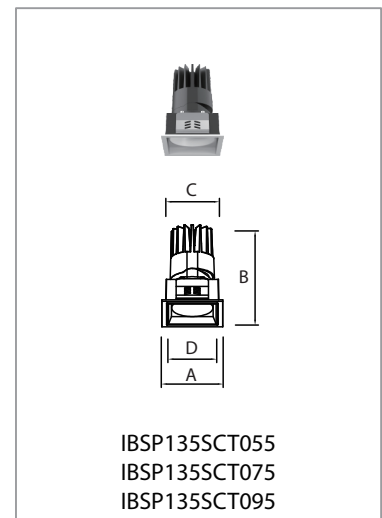
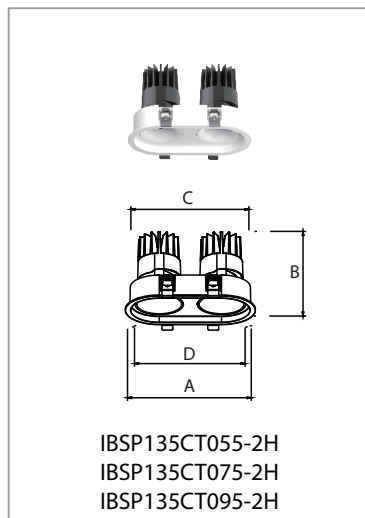
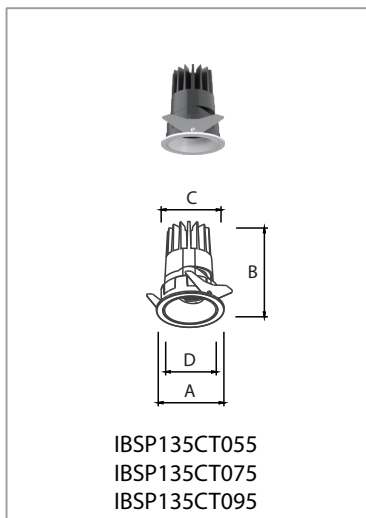
- **Modular Multi-Configuration System**  
Available in single, double, triple, and quadruple configurations, enabling flexible layout design across projects.
- **IP Rated for Versatile Environments**  
Suitable for both standard and humid environments, ensuring reliability in a wide range of applications.
- **Flexible Optical Choices**  
Compatible with various reflectors and finishes, allowing adaptation to different lighting atmospheres.
- **Compact Architectural Integration**  
Clean and minimal design with multiple trim options for seamless ceiling integration.
- **Reliable Performance Platform**  
Stable output and efficient thermal management ensure long service life in everyday applications.



## Applications

Designed for:

- **Hospitality**: Guestrooms, corridors, and public areas requiring consistent and comfortable lighting.
- **Residential**: Living spaces, kitchens, and circulation areas with a clean and modern lighting approach.
- **Commercial & Office**: General lighting for offices, meeting rooms, and shared spaces.
- **Retail**: Suitable for ambient lighting and basic display illumination.



## Measurement

| Model           | Dimension(mm) |     |     |     | Model            | Dimension(mm) |     |     |     |
|-----------------|---------------|-----|-----|-----|------------------|---------------|-----|-----|-----|
|                 | A             | B   | C   | D   |                  | A             | B   | C   | D   |
| IBSP135CT055    | 62            | 85  | 54  | 44  | IBSP135SCT055-2H | 130           | 90  | 116 | 113 |
| IBSP135CT075    | 84            | 110 | 73  | 63  | IBSP135SCT075-2H | 180           | 121 | 163 | 160 |
| IBSP135CT095    | 105           | 130 | 92  | 82  | IBSP135SCT095-2H | 224           | 142 | 207 | 202 |
| IBSP135CT055-2H | 140           | 90  | 126 | 121 | IBSP135SCT055-3H | 170           | 93  | 161 | 156 |
| IBSP135CT075-2H | 194           | 121 | 177 | 174 | IBSP135SCT075-3H | 229           | 121 | 218 | 215 |
| IBSP135CT095-2H | 239           | 142 | 222 | 216 | IBSP135SCT095-3H | 290           | 146 | 280 | 275 |
| IBSP135SCT055   | 64            | 93  | 54  | 51  | IBSP135SCT055-4H | 225           | 93  | 215 | 211 |
| IBSP135SCT075   | 85            | 121 | 74  | 70  | IBSP135SCT075-4H | 303           | 121 | 292 | 288 |
| IBSP135SCT095   | 105           | 146 | 94  | 90  | IBSP135SCT095-4H | 383           | 146 | 373 | 368 |

## Technical Specifications

| Model No.  | IBSP135CT055<br>IBSP135CT075<br>IBSP135CT095 | IBSP135CT055-2H<br>IBSP135CT075-2H<br>IBSP135CT095-2H | IBSP135SCT055<br>IBSP135SCT075<br>IBSP135SCT095 | IBSP135SCT055-2H<br>IBSP135SCT075-2H<br>IBSP135SCT095-2H | IBSP135SCT055-3H<br>IBSP135SCT075-3H<br>IBSP135SCT095-3H | IBSP135SCT055-4H<br>IBSP135SCT075-4H<br>IBSP135SCT095-4H |                      |
|------------|----------------------------------------------|-------------------------------------------------------|-------------------------------------------------|----------------------------------------------------------|----------------------------------------------------------|----------------------------------------------------------|----------------------|
| Size(mm)   | Ø62*H85<br>Ø84*H110<br>Ø105*H130             | L140*W79*H90<br>L194*W104*H121<br>L239*W125*H142      | L64*W64*H93<br>L85*W85*H121<br>L105*W105*H146   | L130*W69*H90<br>L180*W90*H121<br>L224*W110*H142          | L170*W65*H93<br>L229*W85*H121<br>L290*W105*H146          | L225*W65*H93<br>L303*W85*H121<br>L383*W105*H146          |                      |
| Cutout(mm) | Ø55<br>Ø75<br>Ø95                            | L128*Ø67<br>L180*Ø91<br>L225*Ø112                     | L55*W55<br>L75*W75<br>L95*W95                   | L120*W60<br>L165*W80<br>L210*W100                        | L162*W57<br>L221*W76<br>L281*W96                         | L218*W57<br>L295*W76<br>L375*W96                         |                      |
| Watt(W)    | 8W<br>18W<br>25W                             | 2*8W<br>2*18W<br>2*25W                                | 8W<br>18W<br>25W                                | 2*8W<br>2*18W<br>2*25W                                   | 3*8W<br>3*18W<br>3*25W                                   | 4*8W<br>4*18W<br>4*25W                                   |                      |
| Optical    | Luminous Flux (lm) @4000K                    | 600<br>1400<br>2000                                   | 1100<br>2700<br>3900                            | 600<br>1400<br>2000                                      | 1100<br>2700<br>3900                                     | 1700<br>4100<br>5900                                     | 2200<br>5400<br>7800 |
|            | Light Source                                 | COB LED                                               |                                                 |                                                          |                                                          |                                                          |                      |
|            | LED Brand                                    | Bridgelux / Cree (standard) / Hongli (optional)       |                                                 |                                                          |                                                          |                                                          |                      |
|            | SDCM                                         | <5                                                    |                                                 |                                                          |                                                          |                                                          |                      |
|            | CCT(K)                                       | 2700K / 3000K / 3500K / 4000K / 5700K / 6500K         |                                                 |                                                          |                                                          |                                                          |                      |
|            | CRI                                          | Ra≥80/90                                              |                                                 |                                                          |                                                          |                                                          |                      |
|            | Beam Angle (°)                               | 15° / 24° / 36° / 60°                                 |                                                 |                                                          |                                                          |                                                          |                      |
|            | UGR                                          | <16                                                   |                                                 |                                                          |                                                          |                                                          |                      |

## Technical Specifications

| Model No.         | IBSP135CT055                                                                       | IBSP135CT075                                            | IBSP135CT095                        |                                     |
|-------------------|------------------------------------------------------------------------------------|---------------------------------------------------------|-------------------------------------|-------------------------------------|
|                   | IBSP135CT055-2H                                                                    | IBSP135CT075-2H                                         | IBSP135CT095-2H                     |                                     |
|                   | IBSP135SCT055                                                                      | IBSP135SCT075                                           | IBSP135SCT095                       |                                     |
|                   | IBSP135SCT055-2H                                                                   | IBSP135SCT075-2H                                        | IBSP135SCT095-2H                    |                                     |
|                   | IBSP135SCT055-3H                                                                   | IBSP135SCT075-3H                                        | IBSP135SCT095-3H                    |                                     |
|                   | IBSP135SCT055-4H                                                                   | IBSP135SCT075-4H                                        | IBSP135SCT095-4H                    |                                     |
| Electrical        | LED Driver                                                                         | Lifud / BOKE / Tridonic                                 |                                     |                                     |
|                   | Rated Input Voltage(V)                                                             | AC200-240V 50/60Hz                                      |                                     |                                     |
|                   | Power Factor                                                                       | >0.9                                                    |                                     |                                     |
|                   | Efficiency                                                                         | ≥82%                                                    | ≥86%                                | ≥86%                                |
|                   | Rated Input Current                                                                | ≤0.07A                                                  | ≤0.14A                              | ≤0.24A                              |
|                   | Full load output voltage                                                           | DC30-42V                                                | DC28-42V                            | DC30-42V                            |
|                   | Rated output current                                                               | 200mA / 2*200mA / 3*200mA / 4*200mA                     | 450mA / 2*450mA / 3*450mA / 4*450mA | 600mA / 2*600mA / 3*600mA / 4*600mA |
|                   | Dimming Option                                                                     | Non-dimma ble / 1-10V / Triac / DALI dimmable / Casambi |                                     |                                     |
|                   | Power tolerance                                                                    | ±5%                                                     |                                     |                                     |
|                   | Current output tolerance                                                           | ±5%                                                     |                                     |                                     |
|                   | Protection Class                                                                   | Class II                                                |                                     |                                     |
|                   | Short circuit protection<br>Over voltage protection<br>Over temperature protection | PASS                                                    |                                     |                                     |
|                   | THD                                                                                | <20%@230V                                               |                                     |                                     |
|                   | Surge                                                                              | L-N:2KV                                                 |                                     |                                     |
| Withstand voltage | I/P-O/P:3.75KV AC                                                                  |                                                         |                                     |                                     |
| Mechanical        | Finishing color                                                                    | Black / White                                           |                                     |                                     |
|                   | Material                                                                           | Aluminium                                               |                                     |                                     |
|                   | IP Rating                                                                          | IP65 on the visible part of the product once installed  |                                     |                                     |
| Environmental     | Lifetime (hr)                                                                      | 50,000                                                  |                                     |                                     |
|                   | Operating Temp.(°C)                                                                | -20°C~45°C                                              |                                     |                                     |
|                   | Storage Temp.(°C)                                                                  | -20°C~65°C                                              |                                     |                                     |

# Installation Procedure

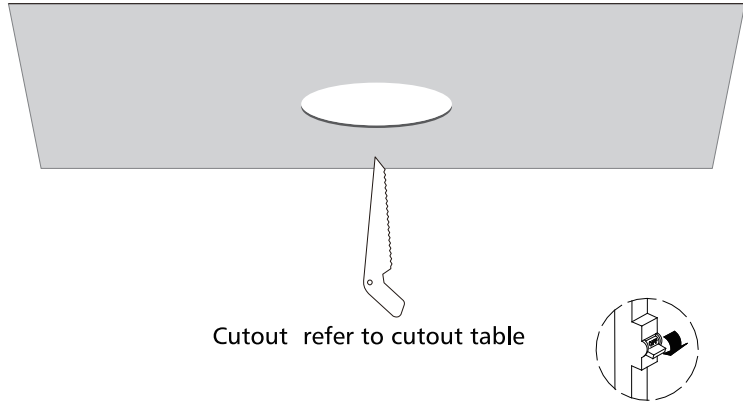
## WARNING

1. Switch off before installation.
2. Switch on only after complete installation and examination of the circuit.
3. Professional electrician for installation and maintenance only.



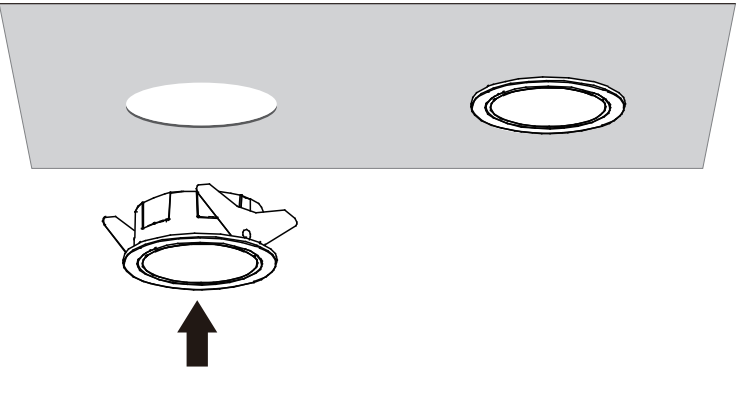
**Turn Off  
Power Supply**

Turn Off power supply before starting any installation. Read instructions & check you have all the tools & accessories to complete the installation correctly.

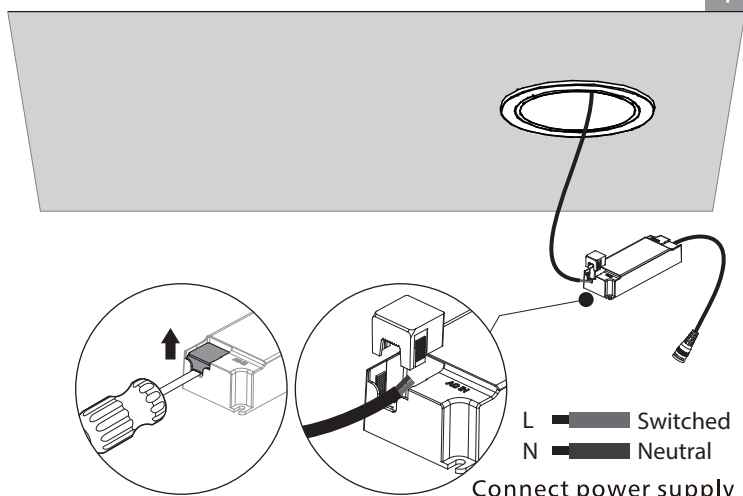


Cutout refer to cutout table

1

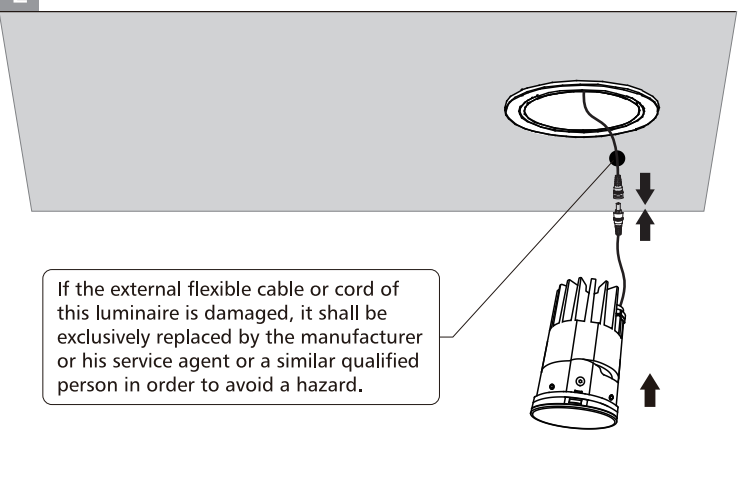


2

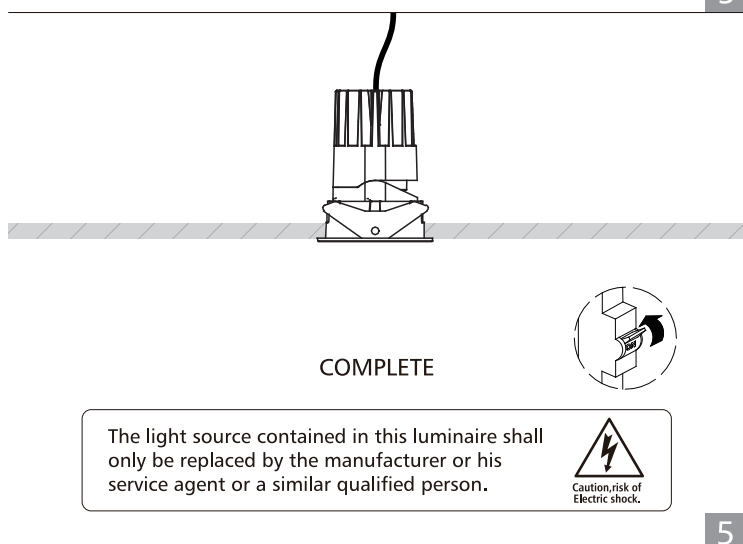


Connect power supply

3



4



5

| Item | Product Size (mm) | Cutout(mm) |
|------|-------------------|------------|
| 1    | Ø62*H85           | Ø55        |
| 2    | Ø84*H110          | Ø75        |
| 3    | Ø105*H130         | Ø95        |
| 4    | L140*W79*H90      | L128*Ø67   |
| 5    | L194*W104*H121    | L180*Ø91   |
| 6    | L239*W125*H142    | L225*Ø112  |

# Installation Procedure

## WARNING

1. Switch off before installation.
2. Switch on only after complete installation and examination of the circuit.
3. Professional electrician for installation and maintenance only.



**Turn Off  
Power Supply**

Turn Off power supply before starting any installation. Read instructions & check you have all the tools & accessories to complete the installation correctly.

