

IBSP151 Series Shallow Trim Recessed LED Downlight | Safety Glass Honeycomb Louver Optional

Key Features

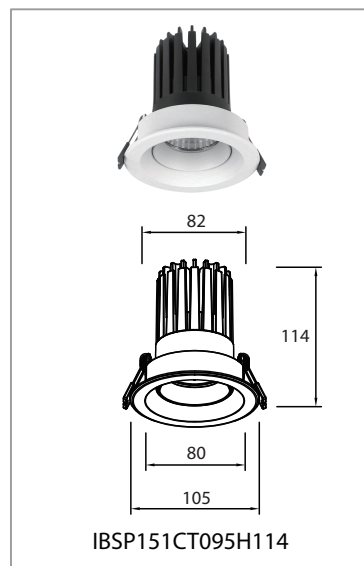
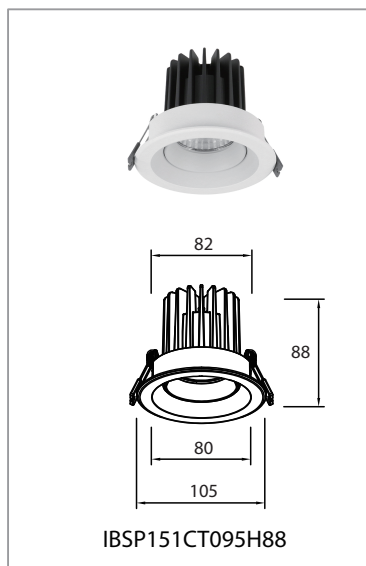
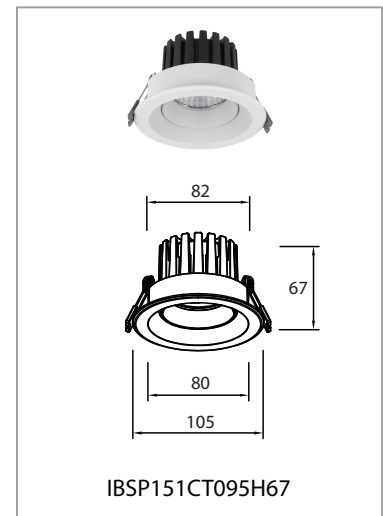
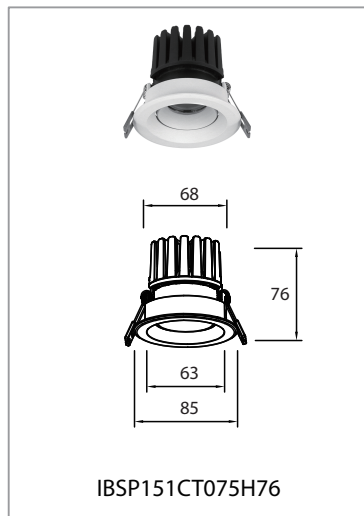
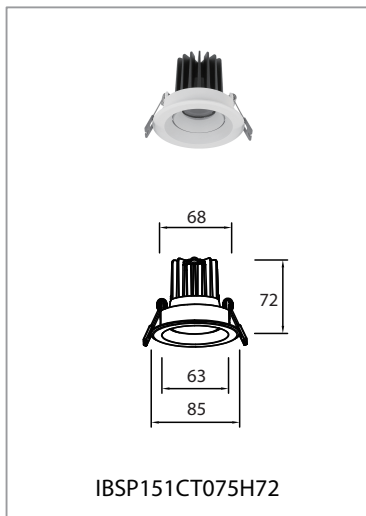
- **Adjustable Accent Lighting**
Vertical adjustment up to $\pm 25^\circ$ enables precise aiming for highlighting architectural details and focal points.
- **Wide Beam Angle Selection**
Multiple beam options (15° – 60°) provide flexibility for accent, general, or wall lighting applications.
- **Enhanced Visual Comfort**
Deep recessed light source with optional honeycomb louver effectively reduces glare.
- **Durable & Protected Design**
IP65 front protection with safety glass diffuser, suitable for both dry and humid environments.



Applications

Designed for:

- Hotel Lobby & Reception
- Restaurants & Hospitality Spaces
- Accent Lighting for Walls, Artwork, and Displays
- Guestrooms & Suites
- Offices & Meeting Rooms
- Retail & Commercial Environments
- Corridors & Circulation Areas



Measurement

Model	Dimension(mm)				Product Weight (Kg)		Package weight (Kg)		Carton Size(cm)	Qty/CTN
	A	B	C	D	N.W/PC	G.W/PC	N.W/CTN	G.W/CTN		
IBSP151CT075H72	85	72	68	63	/	/	/	/	/	/
IBSP151CT075H76	85	76	68	63	/	/	/	/	/	/
IBSP151CT095H67	105	67	82	80	/	/	/	/	/	/
IBSP151CT095H88	105	88	82	80	/	/	/	/	/	/
IBSP151CT095H114	105	114	82	80	/	/	/	/	/	/

Technical Specifications

Model No.	IBSP151CT075H72	IBSP151CT075H76	IBSP151CT095H67	IBSP151CT095H88	IBSP151CT095H114
Size(mm)	Ø85*72	Ø85*76	Ø105*67	Ø105*88	Ø105*114
Cutout(mm)	Ø70-78	Ø70-78	Ø88-98	Ø88-98	Ø88-98
Watt(W)	8W	15W	10W	15W	25W
Luminous Flux (lm) @4000K	800	1400	1000	1500	2500
Light Source	COB LED				
LED Brand	Bridgelux / Cree (standard) / Hongli (optional)				
SDCM	<5				
CCT(K)	2700K / 3000K / 3500K / 4000K / 5700K / 6500K				
CRI	Ra≥80/90				
Beam Angle (°)	15°/24°/36°/50°		15°/24°/38°/45°/60°		
UGR	<19				
LED Driver	Lifud / BOKE / Tridonic				
Rated Input Voltage(V)	AC200-240V 50/60Hz				
Power Factor	>0.9				
Efficiency	≥82%	≥82%	≥82%	≥82%	≥87%
Rated Input Current	≤0.07A	≤0.08A	≤0.08A	≤0.08A	≤0.14A
Full load output voltage	DC 30-40V	DC 30-40V	DC 30-42V	DC 30-40V	DC 28-42V
Rated output current	200mA	350mA	250mA	350mA	600mA
Dimming Option	Non-dimmable / 1-10V / Triac / DALI dimmable / Casambi				
Power tolerance	±5%				
Current output tolerance	±5%				
Protection Class	Class II				
Short circuit protection Over voltage protection Over temperature protection	PASS				
THD	<20%@230V				
Surge	L-N:2KV				
Withstand voltage	I/P-O/P:3.75KV AC				
Finishing color	Black / White				
Material	Aluminium				
IP Rating	IP20; IP65 on the visible part of the product once installed				
Lifetime (hr)	50,000				
Operating Temp.(°C)	-20°C~45°C				
Storage Temp.(°C)	-20°C~65°C				

Installation Procedure

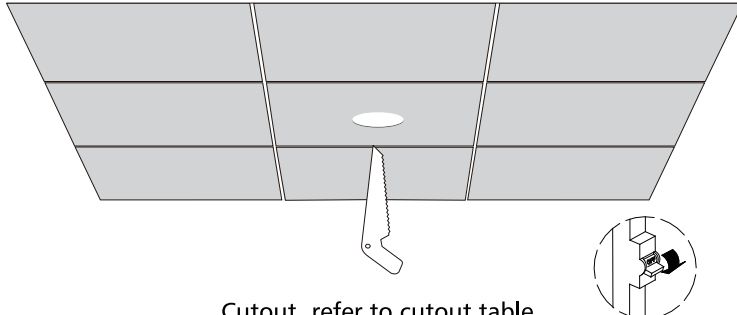
WARNING

1. Switch off before installation.
2. Switch on only after complete installation and examination of the circuit.
3. Professional electrician for installation and maintenance only.



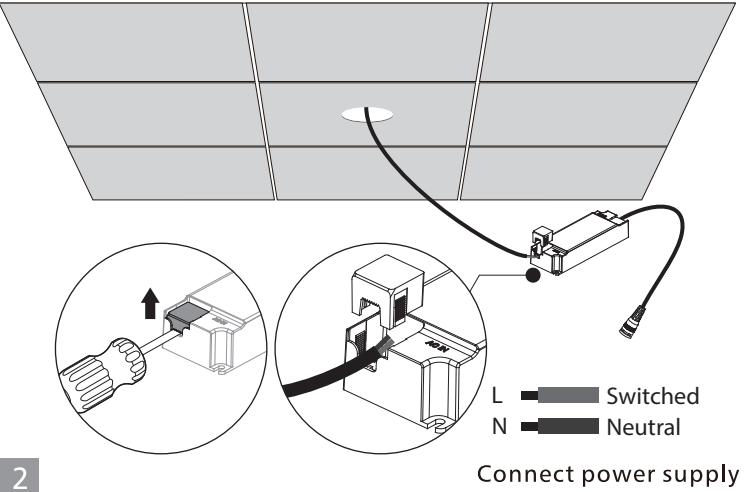
**Turn Off
Power Supply**

- Turn Off power supply before starting any installation. Read instructions & check you have all the tools & accessories to complete the installation correctly.



Cutout refer to cutout table

Item	Product Size (mm)	Cutout(mm)
1	Ø85*72	Ø70-78
2	Ø85*76	Ø70-78
3	Ø105*67	Ø88-98
4	Ø105*88	Ø88-98
5	Ø105*114	Ø88-98

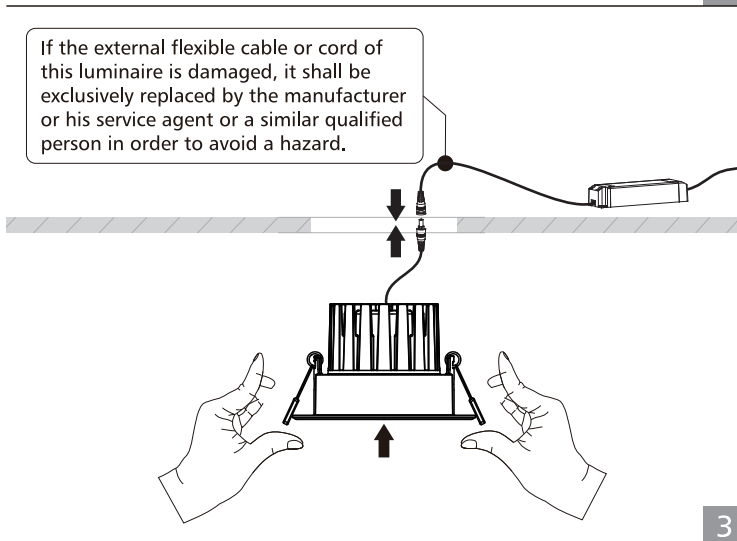


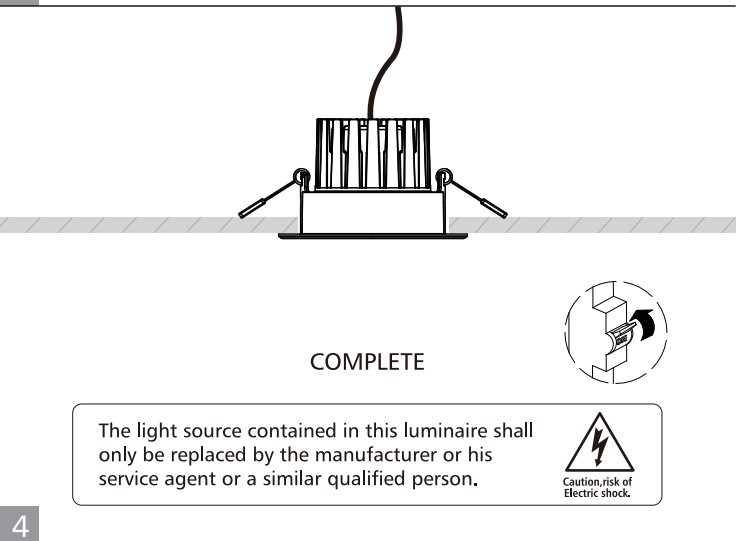
L — Switched
N — Neutral

Connect power supply

1 2


If the external flexible cable or cord of this luminaire is damaged, it shall be exclusively replaced by the manufacturer or his service agent or a similar qualified person in order to avoid a hazard.





COMPLETE

The light source contained in this luminaire shall only be replaced by the manufacturer or his service agent or a similar qualified person.



Caution, risk of Electric shock.

3 4