

IBDL141Series Deep Trim Recessed LED Downlight - ECO |

Key Features

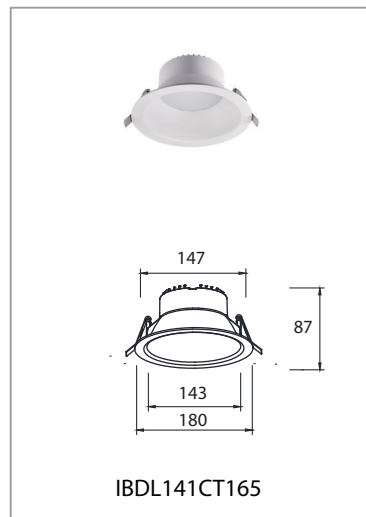
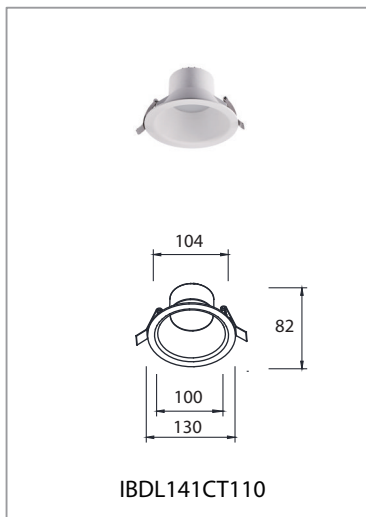
- **Wide Beam Coverage**
90° wide beam angle, ideal for uniform general lighting in open spaces.
- **Comfortable Glare Control**
40° glare cut-off design, reducing direct glare and improving visual comfort.
- **High Efficiency Output**
Up to 3800 lm with optimized efficacy, suitable for energy-conscious projects.
- **Flexible Power Options**
15W / 25W / 35W, covering different ceiling heights and illumination requirements.
- **Reliable Thermal Design**
Die-cast aluminum housing with integrated heatsink ensures stable performance and long lifespan.
- **Clean Architectural Finish**
Minimalist recessed design with matte white or black trim, easy to integrate into modern interiors.



Applications

Designed for:

- **Hospitality** : Hotels, restaurants, public lounges
- **Office & Corporate** : Open offices, meeting rooms
- **Education & Healthcare** : Schools, hospitals, clinics
- **Commercial & Retail** : Shopping malls, supermarkets, open retail spaces
- **Public Areas** : Corridors, lobbies



Measurement

Model	Dimension(mm)				Product Weight (Kg)		Package weight (Kg)		Carton Size(cm)	Qty/CTN
	A	B	C	D	N.W/PC	G.W/PC	N.W/CTN	G.W/CTN		
IBDL141CT110	130	82	104	100	/	/	/	/	/	/
IBDL141CT165	180	87	147	143	/	/	/	/	/	/
IBDL141CT200	220	94	187	185	/	/	/	/	/	/

Technical Specifications

Model No.	IBDL141CT110	IBDL141CT165	IBDL141CT200
Size(mm)	Ø130*82	Ø180*87	Ø220*94
Cutout(mm)	Ø110-120	Ø160-170	Ø190-210
Watt(W)	15W	25W	35W
Luminous Flux (lm) @4000K	1500	2500	3800
Light Source	SMD LED		
LED Brand	Bridgelux / Hongli (optional)		
SDCM	<5		
CCT(K)	2700K / 3000K / 3500K / 4000K / 5700K / 6500K		
CRI	Ra≥80/90		
Beam Angle (°)	90°		
UGR	<22		
LED Driver	Lifud / BOKE / Tridonic		
Rated Input Voltage(V)	AC200-240V 50/60Hz		
Power Factor	>0.9		
Efficiency	≥82%	≥87%	≥87%
Rated Input Current	≤0.08A	≤0.14A	≤0.14A
Full load output voltage	DC 30-40V	DC 28-42V	DC 30-42V
Rated output current	350mA	600mA	850mA
Dimming Option	Non-dimmable / 1-10V / Triac / DALI dimmable / Casambi		
Power tolerance	±5%		
Current output tolerance	±5%		
Protection Class	Class II		
Short circuit protection Over voltage protection Over temperature protection	PASS		
THD	<20%@230V		
Surge	L-N:2KV		
Withstand voltage	I/P-O/P:3.75KV AC		
Finishing color	Black / White		
Material	Aluminium		
IP Rating	IP20		
Lifetime (hr)	50,000		
Operating Temp.(°C)	-20°C~45°C		
Storage Temp.(°C)	-20°C~65°C		

Installation Procedure

WARNING ⚡

1. Switch off before installation.
2. Switch on only after complete installation and examination of the circuit.
3. Professional electrician for installation and maintenance only.



Turn Off Power Supply

■ Turn Off power supply before starting any installation. Read instructions & check you have all the tools & accessories to complete the installation correctly.

Cutout refer to cutout table

Item	Product Size (mm)	Cutout(mm)
1	Ø130*82	Ø110-120
2	Ø180*87	Ø160-170
3	Ø220*94	Ø190-210

L — Switched
N — Neutral

Connect power supply

1 2

If the external flexible cable or cord of this luminaire is damaged, it shall be exclusively replaced by the manufacturer or his service agent or a similar qualified person in order to avoid a hazard.

COMPLETE

The light source contained in this luminaire shall only be replaced by the manufacturer or his service agent or a similar qualified person.

Caution, risk of Electric shock.

3 4